

Application

- ▶ Residential and commercial timber exterior folding applications.
- ▶ Specially suited to coastal environments with all components made from 316 stainless steel, anodised aluminium or polymers.
- ▶ End folding timber doors folding to one or both sides.
- ▶ Standard folding configuration features doors folding outward.
- ▶ Inward folding doors can be used where the doors are not directly exposed to the weather.
- ▶ Premium security features.
- ▶ Recognised weather resistance.

Door Specification

Max leaf size	3300mm
Max leaf Height	75kg
Max leaf width	900mm
Leaf thickness	35-67mm

The folding unit is pivoted in the track and floor. All door leaves are of equal width. A swing leaf can be included by incorporating an odd number of leaves. For full weather protection, doors, frame and track should incorporate the seals provided in the Securefold range. Intermediate hangers and hinges are non rebated. End hangers and pivots require rebating.

Gear Specification

Track:	250
Material:	Anodised aluminium (anodising 25 microns)
Standard lengths:	2000, 3000, 4000 and 6000mm

Hanger/Hinge/Guide sets:

Pivot/guide set	SF1
End hanger/guide set left hand	SF2L
End hanger/guide set right hand	SF2R
Hinge set with handle,	SF3
Intermediate hanger/hinge/guide set	SF4
Hinge set inward opening,	SF5
Hinge set offset inward opening,	SF6
Hinge set offset outward opening	SF7
Rebated end hanger/guide set	SF8
Intermediate pivot hinge for doors above	SF9
Face fix handle (optional).	SF10

Channel:

Polypropylene guide channel	94P
Anodised aluminium support channel.	94SC

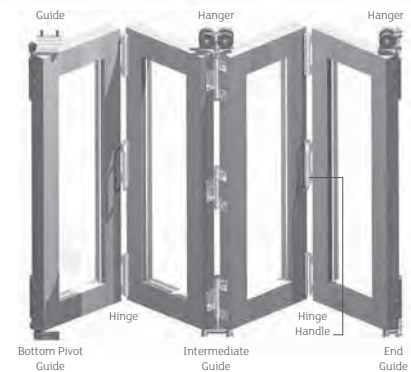
Channel lengths correspond with standard track lengths.

Seals:

Door perimeter seal brown,	AQ63B
Frame perimeter seal brown,	AQ21B
Track brush seal black	BS10

Optional Extras:

Lockable and non-lockable flush bolts available in 190mm, 450mm and 600mm sizes.



Fitting Instructions:

Diagram 1

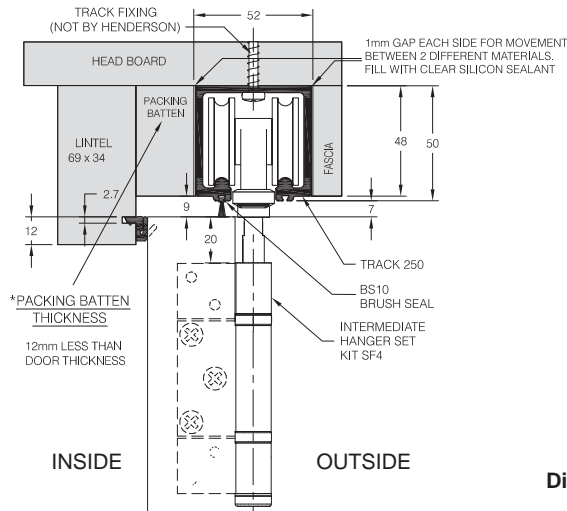


Diagram 2

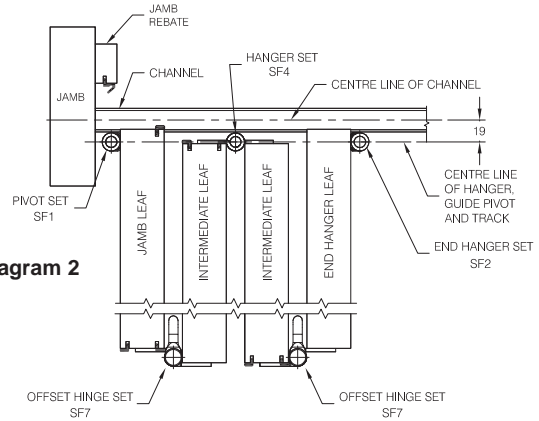


Diagram 3

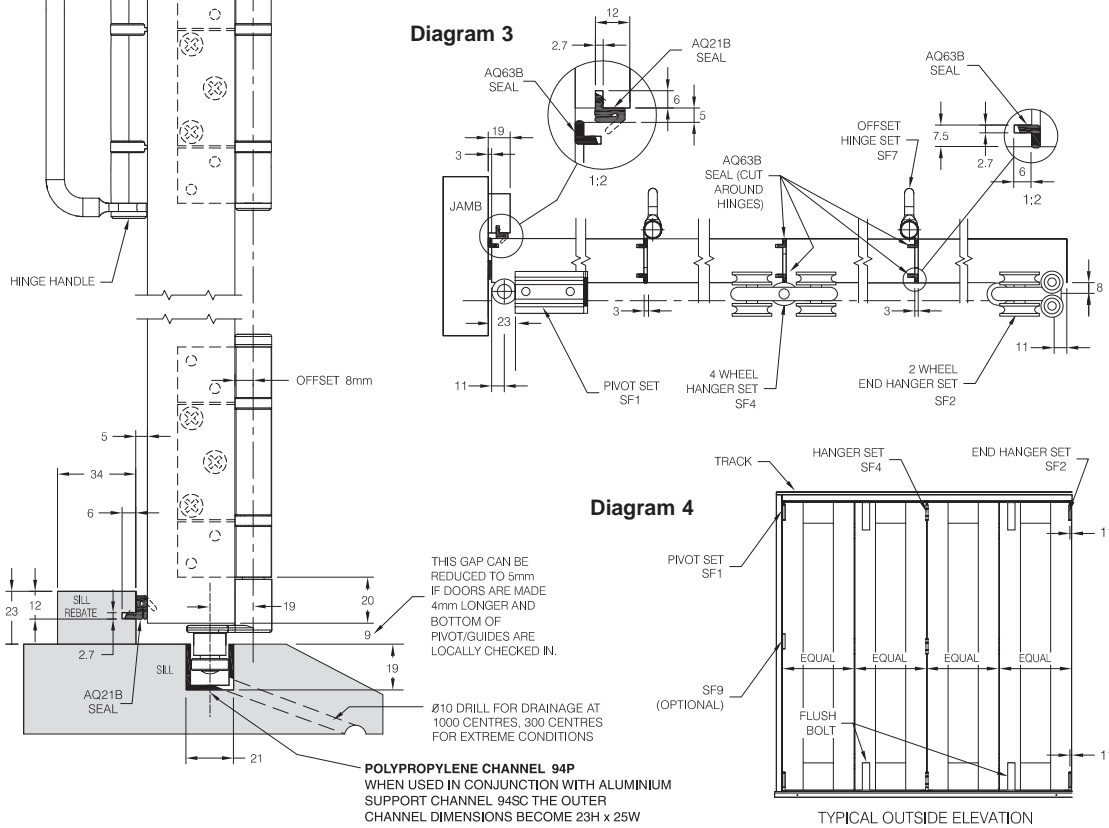
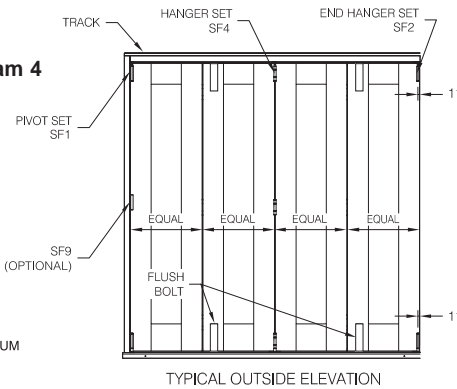


Diagram 4



All dimensions in mm

Domestic Folding Door Gear - up to 75kg per leaf

Bottom support channel: 94SC Available in lengths of 2000mm, 3000mm, 4000mm and 6000mm.
 Bottom polypropylene channel: 94P Available in lengths of 2000mm, 3000mm, 4000mm and 6000mm.
 Anodised aluminium track: 250 Available in lengths of 2000mm, 3000mm, 4000mm and 6000mm.

DOOR CONFIGURATION

- | | | |
|---------------------------|--------------------------------------|--|
| SF1 Pivot Assembly Set | SF4 Intermediate Hanger Set | SF8 Rebated End Hanger Meeting |
| SF2R End Hanger Set (RH) | SF5 Hinge Set Inward Opening | SF9 Intermediate Pivot Hinge for doors over 2200mm in height |
| SF2L End Hanger Set (LH) | SF6 Hinge Set Offset Inward Opening | SF10 Face Fix Handle (optional) |
| SF3 Hinge Set with Handle | SF7 Hinge Set Offset Outward Opening | |

	OUTWARD OPENING CONFIGURATION	HARDWARE
2 LEAF		1 x SF1 pivot set 1 x SF3 hinge set with handle 1 x SF2L end hanger set - left hand*
2+1 LEAF		2 x SF1 pivot set 1 x SF3 hinge set with handle 1 x SF2L end hanger set - left hand*
3 LEAF		1 x SF1 pivot set 1 x SF4 intermediate hanger set 1 x SF7 offset hinge set with handle
2+2 LEAF		2 x SF1 pivot set 2 x SF3 hinge set with handle 1 x SF8 rebated end hanger meeting
3+1 LEAF		2 x SF1 pivot set 1 x SF4 intermediate hanger set 1 x SF7 offset hinge set with handle
4 LEAF		1 x SF1 pivot set 1 x SF4 intermediate hanger set 2 x SF7 offset hinge set with handle 1 x SF2L end hanger set - left hand*
3+2 LEAF		2 x SF1 pivot set 1 x SF3 hinge set with handle 1 x SF4 intermediate hanger set 1 x SF7 offset hinge set with handle 1 x SF2R end hanger set - right hand*
4+1 LEAF		2 x SF1 pivot set 1 x SF4 intermediate hanger set 2 x SF7 offset hinge set with handle 1 x SF2L end hanger set - left hand*
5 LEAF		1 x SF1 pivot set 1 x SF3 hinge set with handle 2 x SF4 intermediate hanger set 1 x SF7 offset hinge set with handle
3+3 LEAF		2 x SF1 pivot set 2 x SF4 intermediate hanger set 2 x SF7 offset hinge set with handle
4+2 LEAF		2 x SF1 pivot set 1 x SF3 hinge set with handle 1 x SF4 intermediate hanger set 2 x SF7 offset hinge set with handle 1 x SF8 rebated end hanger meeting
5+1 LEAF		2 x SF1 pivot set 1 x SF3 hinge set with handle 2 x SF4 intermediate hanger set 1 x SF7 offset hinge set with handle
6 LEAF		1 x SF1 pivot set 1 x SF3 hinge set with handle 2 x SF4 intermediate hanger set 2 x SF7 offset hinge set with handle 1 x SF2L end hanger set - left hand*

The systems configurations shown above are viewed from the outside. They can be reversed, if reversed the parts marked * will have to be the opposite handing e.g. "SF2R end hanger set - right hand" will become "SF2L end hanger set - left hand" and "SF2L end hanger set - left hand" will become "SF2R end hanger set - right hand". An SF9 intermediate pivot is optional for doors exceeding 2200mm in height. The SF8 (rebated end hanger meeting) is illustrated in the split position on each door. Only one kit is required per door meeting point

All dimensions in mm