

## Application

- ▶ For efficient and easy-to-use light folding doors, neatly stacking at one side and without floor guides for an uninterrupted floor.
- ▶ For larger openings, a floor guide channel should be included.
- ▶ If doors are required to stack at both sides additional pivots are required.
- ▶ Soffit fixing only.

## Door Specification

Max leaf height	2400mm
Max leaf width	600mm
Leaf thickness	25-44mm

## Kit Sets

For opening widths to:

1200mm - 2 panels	HF25/12
2400mm - 4 panels	HF25/24 (Four panels slide and fold to one side)

Kits HF25/12 and HF25/24 contain: top and bottom pivots; 4-wheeled adjustable nylon hangers; hinges; screws; fixing instructions and steel track no. 280

## Gear Specification

### Track:

Steel	280
Standard lengths available in	2000, 3000, 4000 and 6000mm

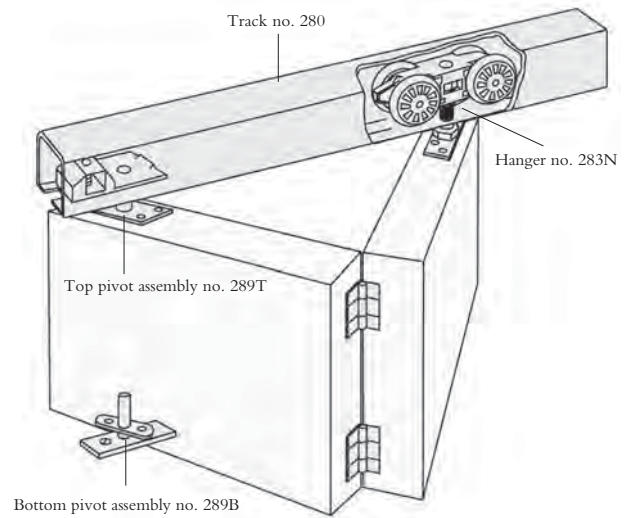
**Top Pivot:** 289T

**Bottom Pivot:** 289B

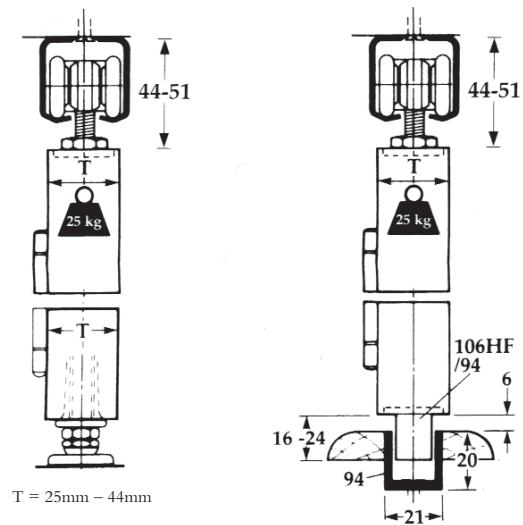
**Hanger:** 283N

### Optional Extras:

Nylon tipped guide	106HF/94
Aluminium floor channel	94x
Available in	2000mm, 3000mm, 4000mm, and 6000mm.
Flushpull	400
Flushbolt	454



### SOFFIT FIXED



# Husky Folding 40

Folding room dividing doors  
up to 40kg per leaf

## Application

- ▶ For efficient and easy-to-use medium weight folding doors, neatly stacking at one side.
- ▶ If doors are required to stack at both sides additional pivots are required.
- ▶ Soffit fixing only.

## Door Specification

Max leaf height	2400mm
Max leaf width	750mm
Leaf thickness	25-44mm

## Kit Sets

For opening widths to:

1500mm - 2 panels	HF40/15
3000mm - 4 panels	HF40/30

Standard lengths available in 2000, 3000, 4000 and 6000mm

Kits HF40/12 and HF40/24 contain: top and bottom pivots, 4-wheeled adjustable nylon hangers; hinges; screws; fixing instructions and steel track no. 280, aluminium guide channel No. 94X and nylon tipped door guide(s).

## Gear Specification

### Track:

Steel 280

**Top Pivot:** 289T

**Bottom Pivot:** 289B

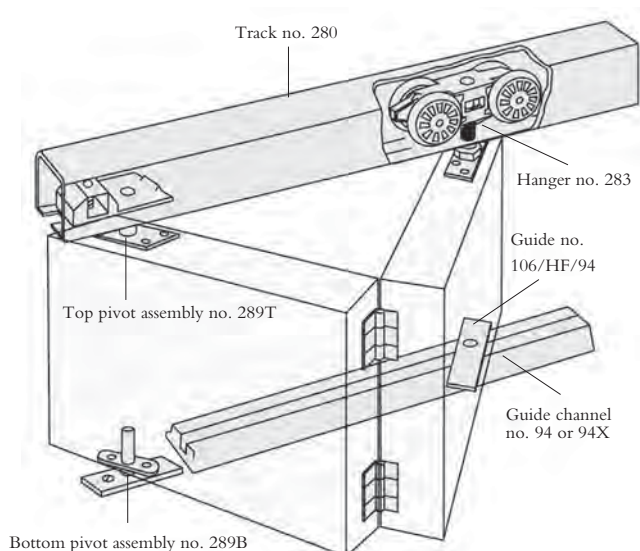
**Hanger:** 283N

**Bottom Guide:** 106N/94

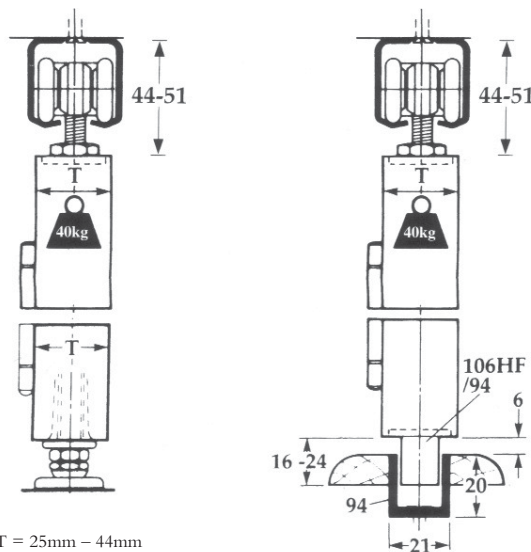
**Bottom Guide Channel:** 94X

### Optional Extras:

Flushpull	400
Flushbolt	454

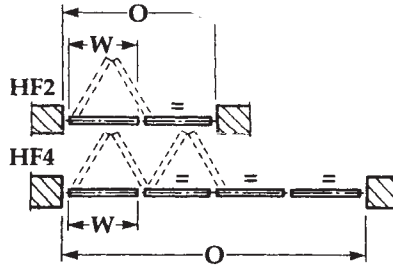
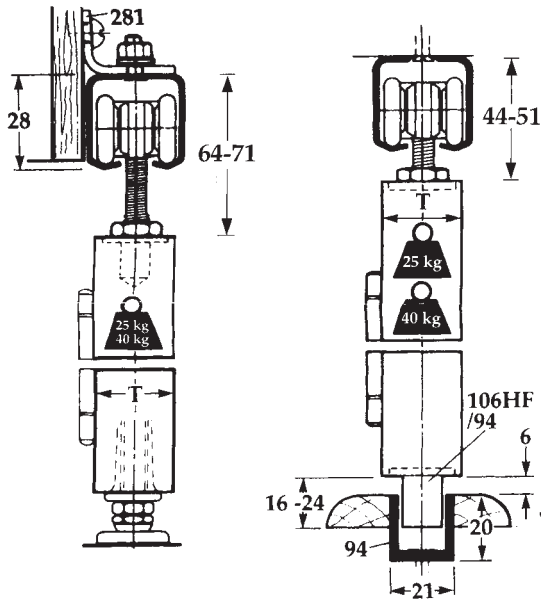


### SOFFIT FIXED



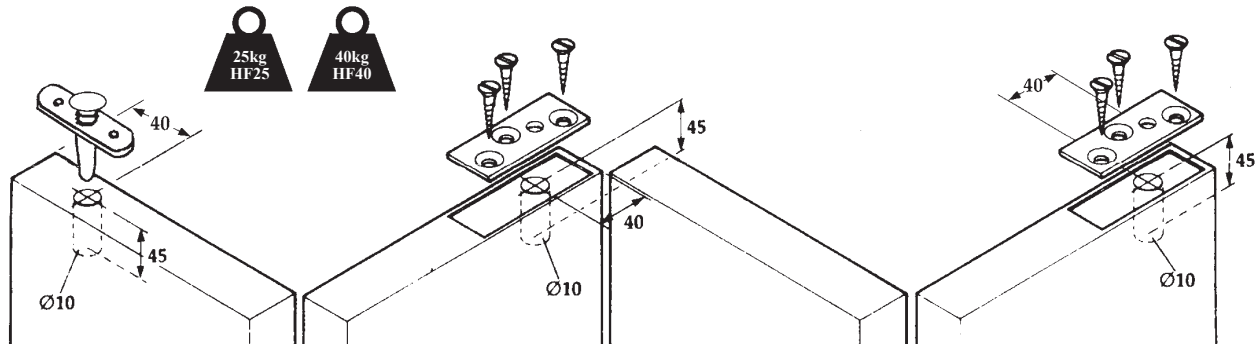
T = 25mm - 44mm

## Fitting Instructions:

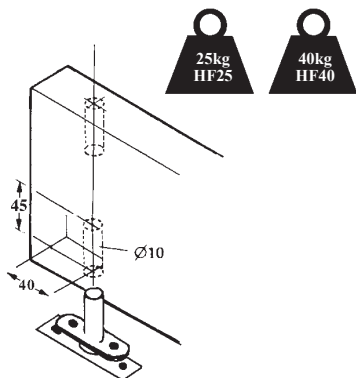


	Max Weight	W	T	O
HF25	25kg	600mm	25-44mm	2400mm
HF40	40kg	750mm	25-44mm	3000mm

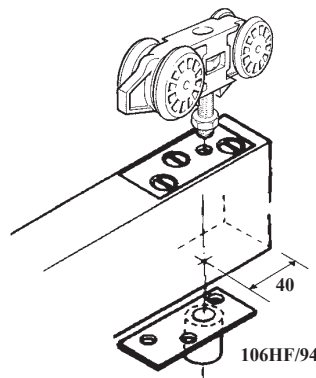
### 1 POSITION AND SECURE PIVOT AND HANGER APRON PLATES



### 2 FIT BOTTOM PIVOT ASSEMBLY



### 3 ATTACH HANGER TO APRON PLATE(S) & BOTTOM GUIDE (IF APPLICABLE)



⚠ 106HF/94 - HF25		
W	0 → 449mm	✗
	450 → 600mm	✓
H	0 → 2099mm	✗
	2100 → 2400mm	✓
	0 → 11kg	✗
	15kg → 25kg	✓

All dimensions in mm

