

Application

- ▶ Manufactured from high grade 316 stainless steel with anodised aluminium track.
- ▶ Tested to AS4145.2-2008 part 3.9 Corrosion Resistance Category C9-Severe.
- ▶ Ideal for areas requiring a high level of corrosion resistance.
- ▶ Designed for interior and exterior doors up to 180 kg.
- ▶ Ideal for residential or commercial applications.
- ▶ Hangers available for timber or metal doors.
- ▶ The track can be soffit fixed or face fixed to give flexibility of installation.

Door Specification

Max panel weight	180kg
Max panel thickness	48mm
Min panel thickness	35mm
Max panel height (Guide Only)	3300mm

Gear Specification

Track:

Anodised aluminium (25 microns) available in lengths of: 2000mm, 3000mm, 4000mm and 6000mm.

Soffit fix spacing 900mm centres (maximum).

Brush strips:

Available in black in 4 brush heights, by the metre BS10, BS15, BS20 and BS25(mm).

Brackets:

Face fixed stainless steel	1/SS
Double face fixed stainless steel	5H/SS

Starting 20mm from end of track fix at 900mm centres (maximum).

Hangers: (2 required per door)

Timber doors:

Concealed plate fix-	57/180/SS
Concealed plate fix-	52/180/SS

Metal doors:

Angle framed door-	56/180/SS
Box section framed door-	56X/180/SS

Guides: (For use with 94 series channel)

Timber doors:

(concealed) fixing with SS bearing-	106H SS/94
Wall mounted guide / multiple door guide	102 SS/94

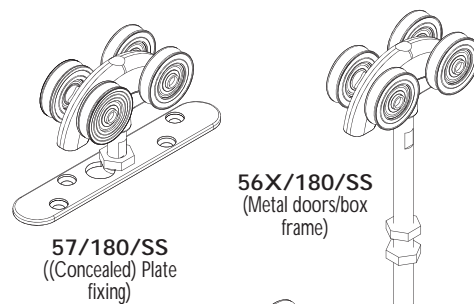
Metal doors:

Angle framed door-	104N/94
Box section framed door-	104NX/94

Channel:

Aluminium (2000, 3000, 4000 & 6000mm lengths)	94X
Brass (3000mm length only)	94
Polypropylene channel (2000, 3000, 4000 & 6000mm)	94P
Aluminium supporting channel for polypropylene (2000, 3000, 4000 & 6000mm)	94SC

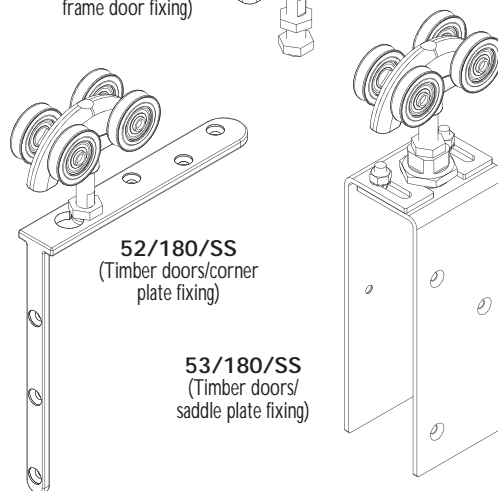
Track Stop: HH5/SS



57/180/SS
((Concealed) Plate fixing)

56X/180/SS
(Metal doors/box frame)

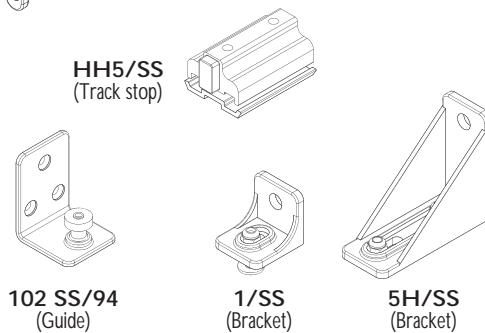
56/180/SS
(Metal doors/angled frame door fixing)



52/180/SS
(Timber doors/corner plate fixing)

53/180/SS
(Timber doors/saddle plate fixing)

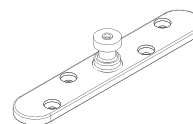
HH5/SS
(Track stop)



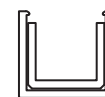
102 SS/94
(Guide)

1/SS
(Bracket)

5H/SS
(Bracket)



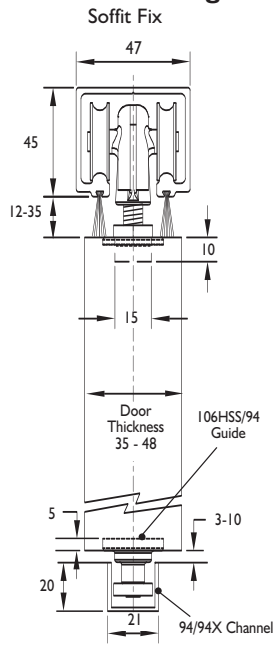
106H SS/94
(Guide)



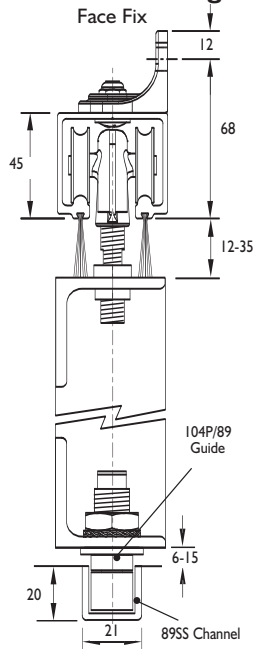
94SC & 94P
(Channel)

Fitting Instructions:

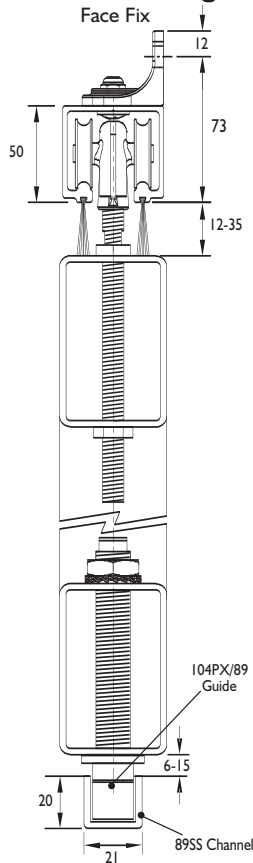
57/180/SS Hanger



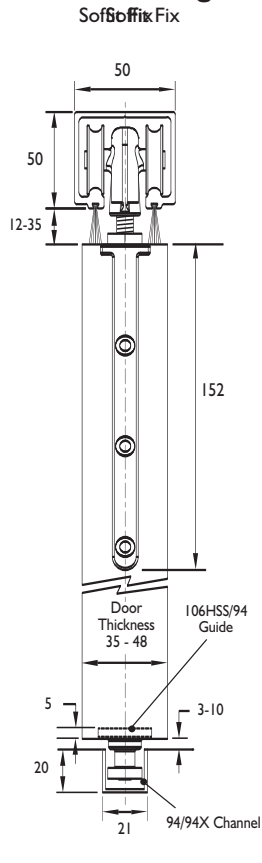
56/180/SS Hanger



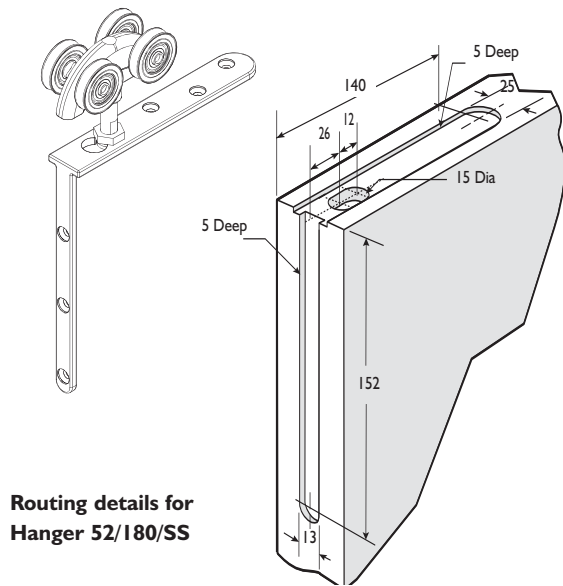
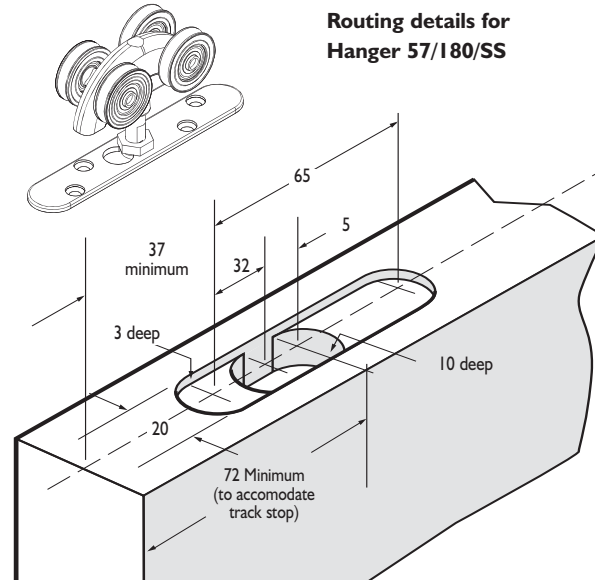
56X/180/SS Hanger



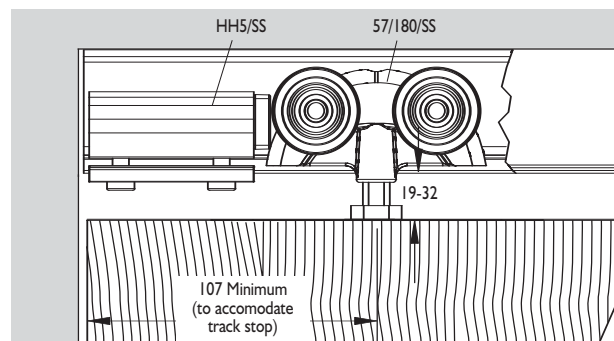
52/180/SS Hanger



Routing details for Hanger 57/180/SS



Routing details for Hanger 52/180/SS



All dimensions in mm