

## Application

- ▶ Manufactured from high grade 316 stainless steel with anodised aluminium track.
- ▶ Tested to AS4145.2-2008 part 3.9 Corrosion Resistance Category C9-Severe.
- ▶ Ideal for areas requiring a high level of corrosion resistance.
- ▶ Designed for interior and exterior doors up to 120 kg.
- ▶ Ideal for residential or commercial applications.
- ▶ Hangers available for MDF, timber or metal doors.
- ▶ The track can be soffit fixed or face fixed to give flexibility of installation.

## Door Specification

Max panel weight	120kg
Max panel thickness	48mm
Min panel thickness	19mm
Max panel height	3000mm

## Gear Specification

### Track:

Anodised aluminium (25 microns) available in lengths of: 2000mm, 3000mm, 4000mm and 6000mm.

Soffit fix spacing 600mm centres (maximum).

### Brush strips:

Available in black in 4 brush heights, by the metre BS10, BS15, BS20 and BS25(mm).

### Hangers:

2 required per door:

MDF doors:

Face fixing- 52/120/SS

Timber doors:

Top fixed - surface mounted- 51/120/SS

(concealed) plate fixing- 57/120/SS

Metal doors:

Angle framed door- 56/120/SS

### Brackets:

Face fixed stainless steel 1/SS

Double run face fixed stainless steel 5/SS

Starting 20mm from end of track fix at 600mm centres (maximum).

### Guides: (For use with 94 series channels)

(concealed) fixing with SS bearing 106 SS/94

Nylon saw cut guide 102 N

Wall mounted guide / multiple doors 102 SS/94

Angle framed door 104NX/94

Box section framed door 104N/94

### Channel:

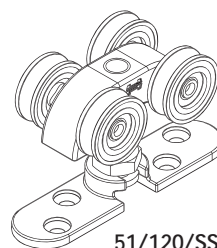
Aluminium (2000, 3000, 4000 & 6000mm lengths) 94X

Brass (3000mm length only) 94

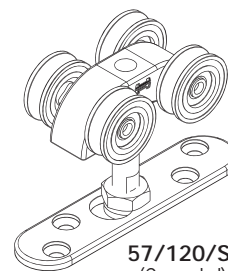
Polypropylene channel (2000, 3000, 4000 & 6000mm) 94P

Aluminium supporting channel for polypropylene (2000, 3000, 4000 & 6000mm) 94SC

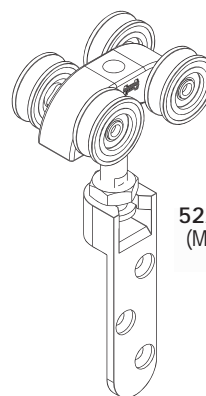
**Track Stop:** HH4/SS



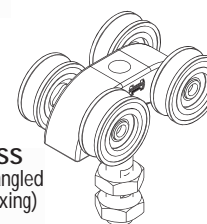
51/120/SS  
(Top Fix)



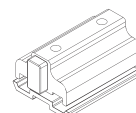
57/120/SS  
(Concealed)  
Plate fixing)



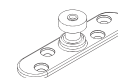
52/120/SS  
(MDF Door)



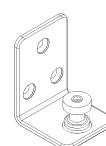
56/120/SS  
(Metal Door/angled  
frame door fixing)



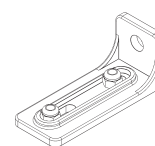
HH4/SS  
(Track stop)



106 SS/94  
(Guide)



102 SS/94  
(Guide)



5/SS  
(Bracket)



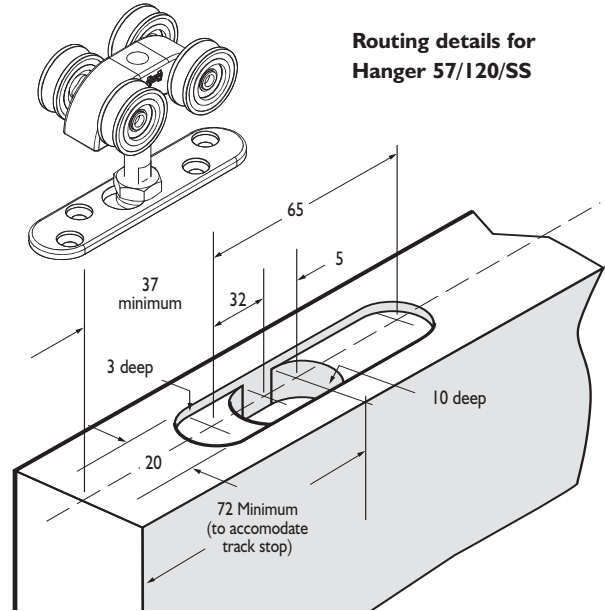
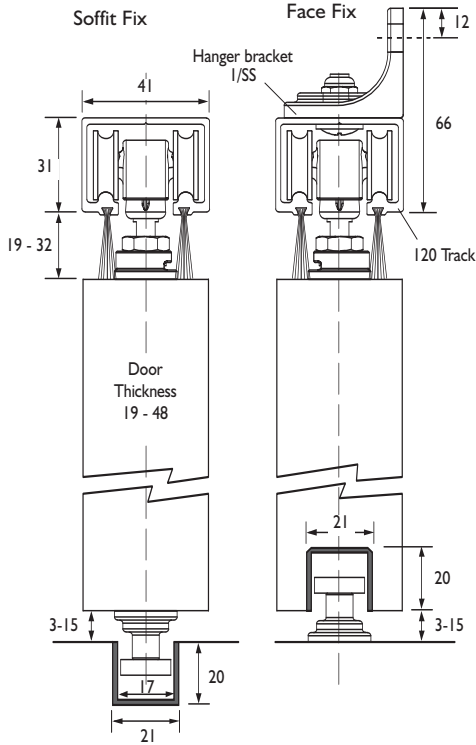
1/SS  
(Bracket)



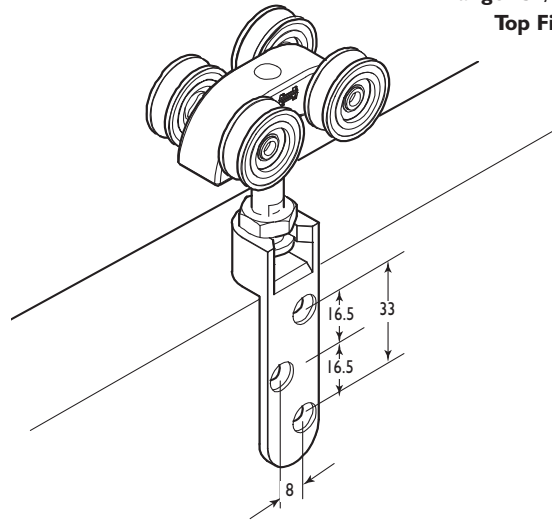
94SC & 94P  
(Channel)

## Fitting Instructions:

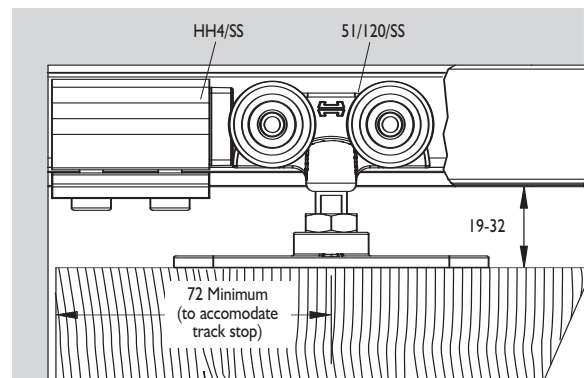
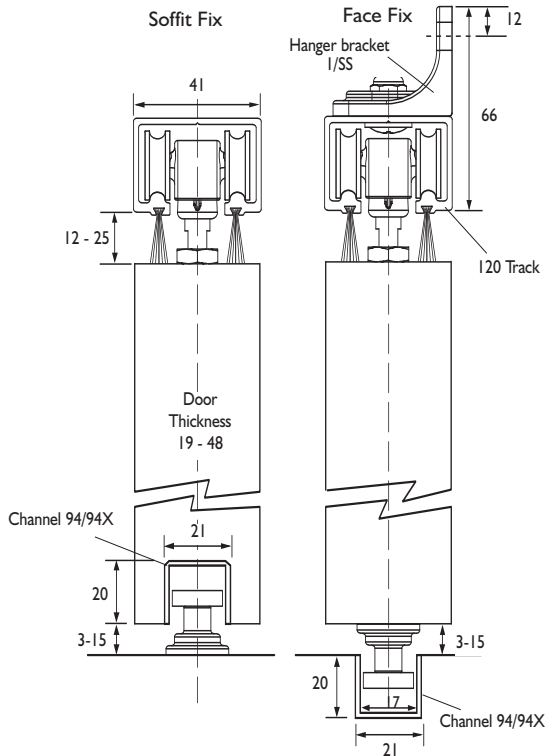
### 51/120/SS Hanger



### Hanger 52/120/SS Top Fix



### 57/120/SS Hanger



All dimensions in mm