

Application

- ▶ Aluminium top channels with nylon guides and aluminium bottom rails with nylon rollers for quiet, smooth operation of wood-framed glazed or flush, bi-passing cupboard or cabinet doors.
- ▶ Multiple tracks can be fitted.

Door Specification

Max leaf Height 1800mm
Max leaf weight 23kg

Top guides mortised into door and guide channels mortised into soffit. Bottom rollers mortised into bottom rail of door (bottom rail must be of sufficient thickness - minimum 20mm). Butt joints on rail or channel are not recommended. Maximum panel weight 23kg, maximum door size 900mm wide by 20-45mm thick.

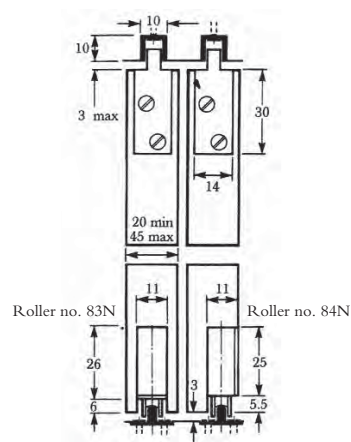
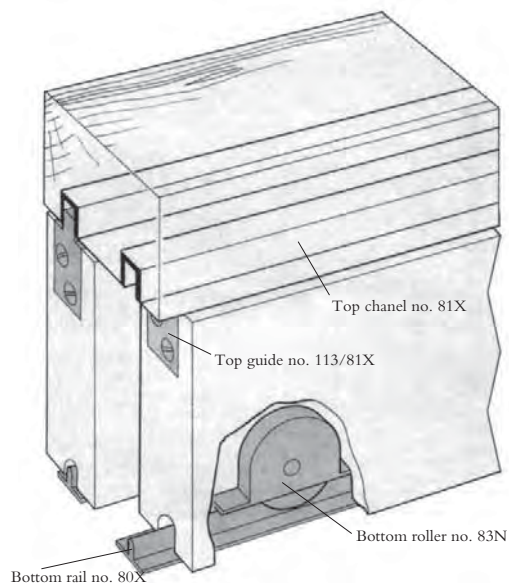
Kit Sets

For single door opening widths to	2 panel kit no.
1200mm	D4
1500mm	D5
1800mm	D6

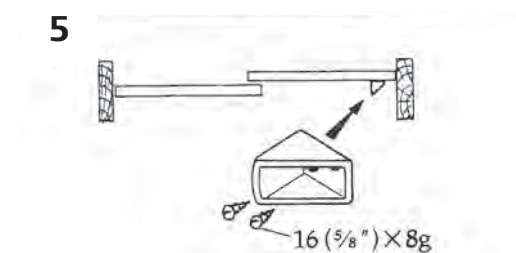
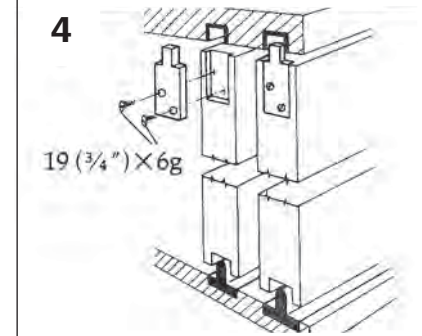
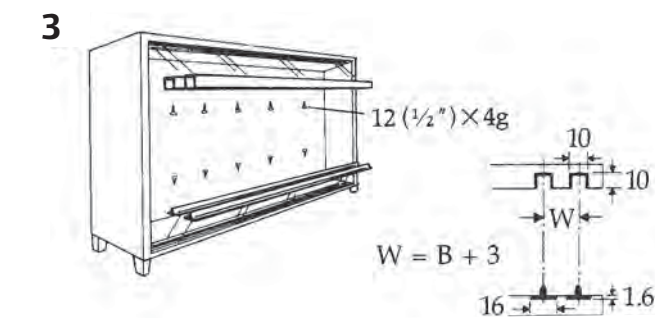
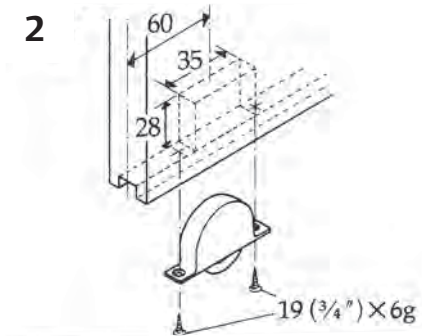
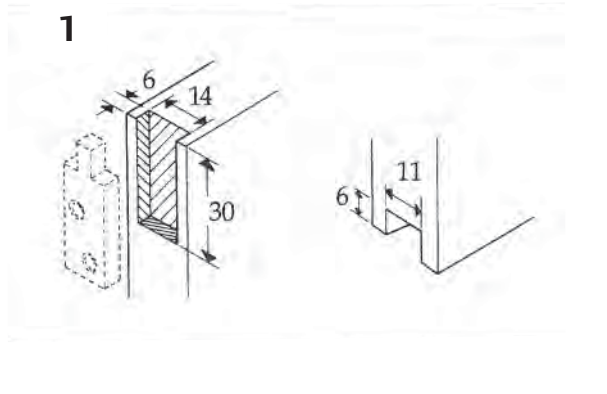
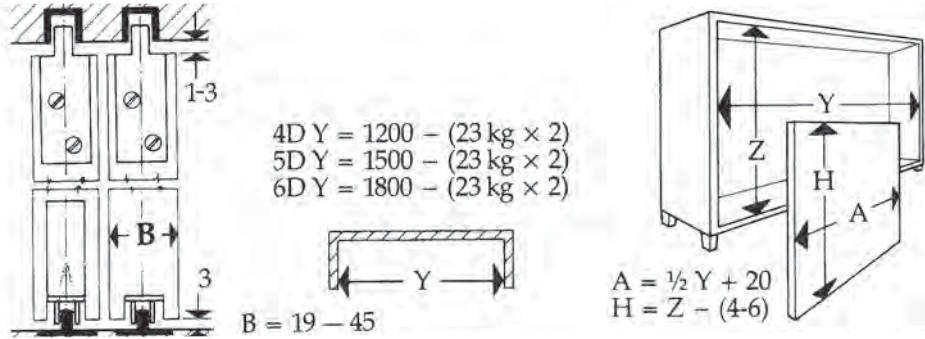
Standard kits for 2 door panels contain 2 guide channels, 4 guides, 4 bottom rollers, 2 rails, screws and fixing instructions.

Optional Extras:

Face-fix rollers	84N (2 per door)
Flush pull	400



Fitting Instructions:



All dimensions in mm