

Sliding cabinet doors up to 9kg per leaf

Slipper

Domestic Straight Sliding Door Gear – up to 9kg per leaf

Application

- ▶ For lightweight wood or chipboard sliding doors eg. kitchens, bathrooms, serving hatches and built-in furniture where no bottom track is necessary.
- ▶ Silent and easy to fix, the doors can be simply removed when required.

Door Specification

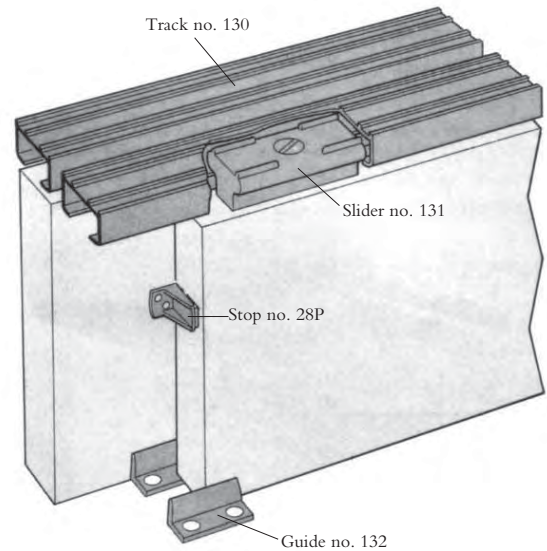
Max leaf Height	1800mm
Max leaf weight	9kg

Gear Specification

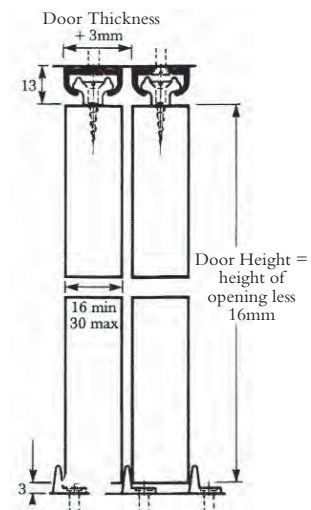
For opening widths to	2 door kit no
900mm	SS3
1200mm	SS4
1500mm	SS5
1800mm	SS6
2400mm	SS8
Optional 1 door fittings kit	SS1
Flushpull	26P

Standard kits for 2 doors contain: 2 top aluminium tracks with fixing holes, 4 nylon sliders, safety stop, 2 flushpulls, screw-fixed nylon guides, all screws and fixing instructions.

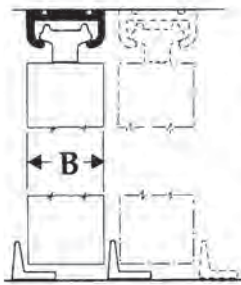
Bulk component packs also available.



SOFFIT FIXED

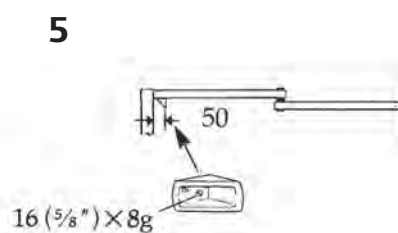
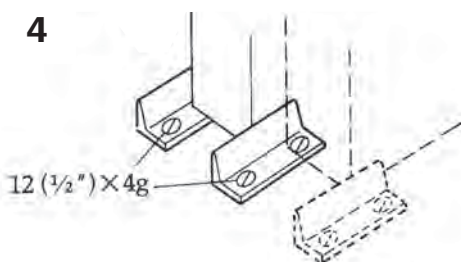
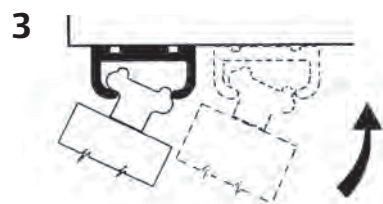
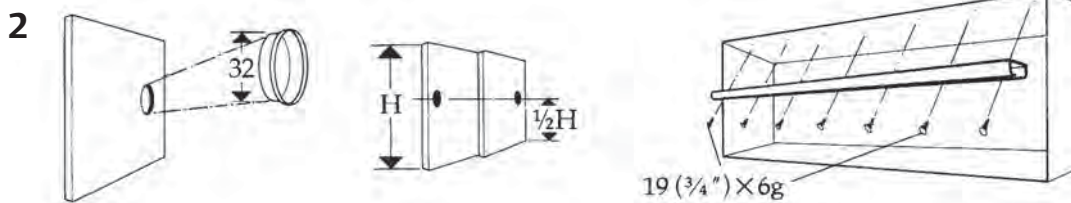
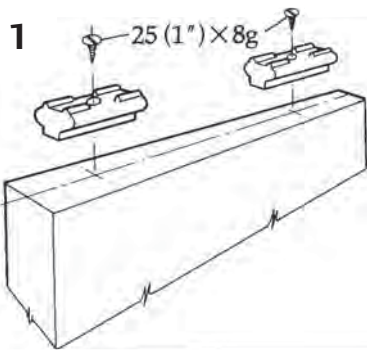
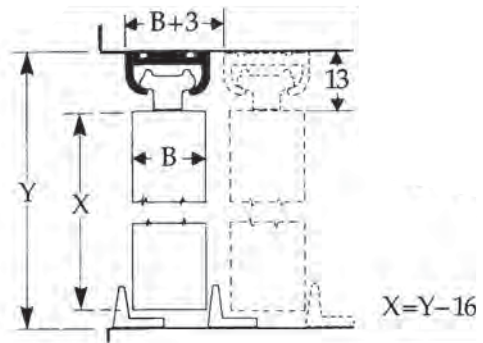
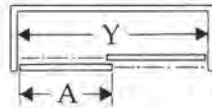


Fitting Instructions:



SS4 Y=1200mm (9 kg×2)
SS5 Y=1500mm (9 kg×2)
SS6 Y=1800mm (9 kg×2)
SS8 Y=2400mm (9 kg×2)

$$B = 16-30 \quad A = \frac{1}{2}Y + 6$$



All dimensions in mm