

Application

- ▶ An easy to fit kit for timber doors that requires no routing of the doors, as all components are surface mounted.
- ▶ Bottom rollers operate on aluminium rails producing a quiet, smooth operation.

Door Specification

Max leaf Height	2400mm
Max leaf weight	25kg

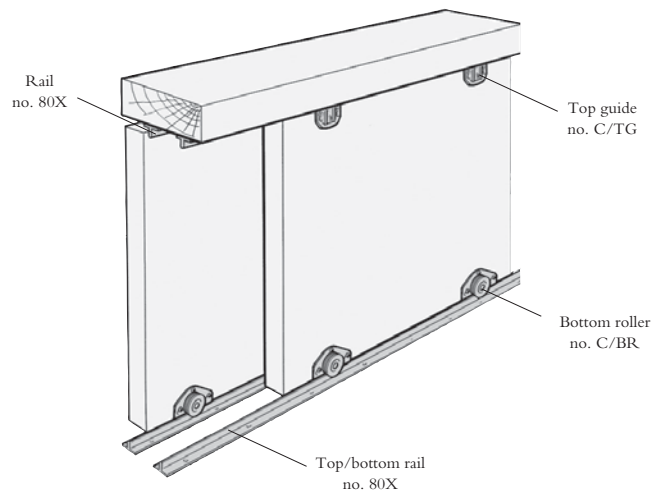
Kit Sets

For single door opening widths to	Kit no.
1500mm	C15
1800mm	C18
2400mm	C24

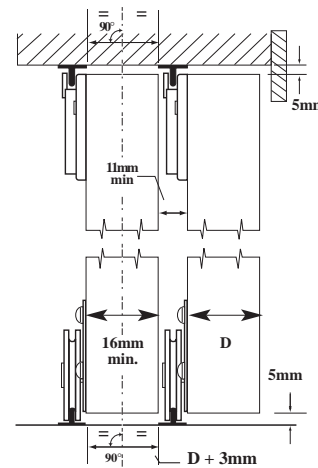
Standard kits for 2 or 3 doors contain: aluminium rail, face-fixed nylon-wheeled bottom rollers, face-fixed nylon guides, screws and fixing instructions.

Optional Extras:

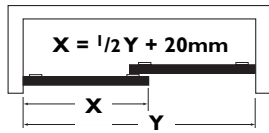
One door fittings pack	C1
Flushpull	400



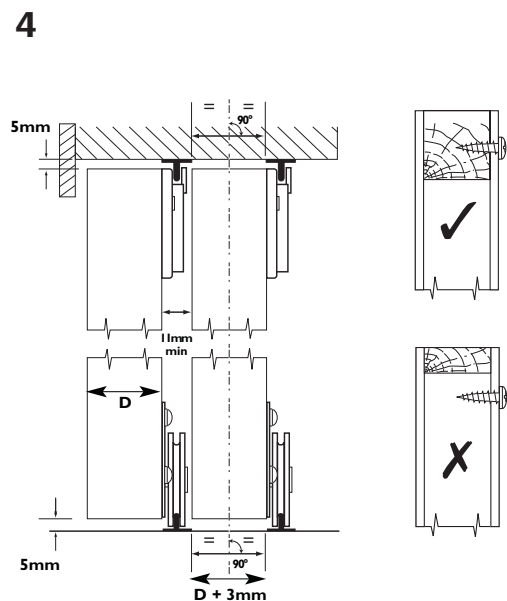
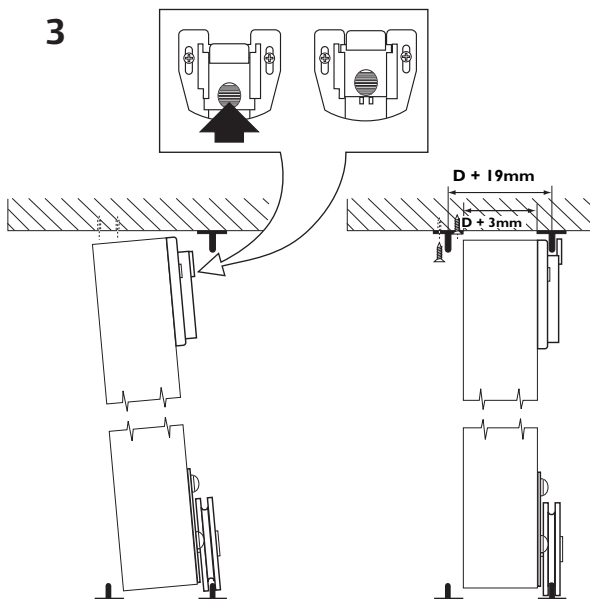
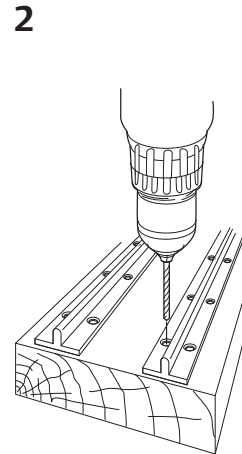
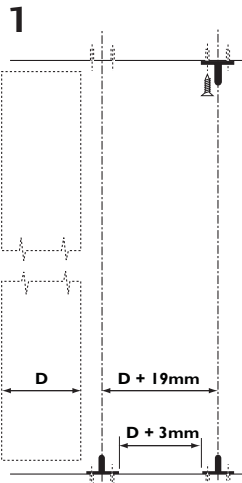
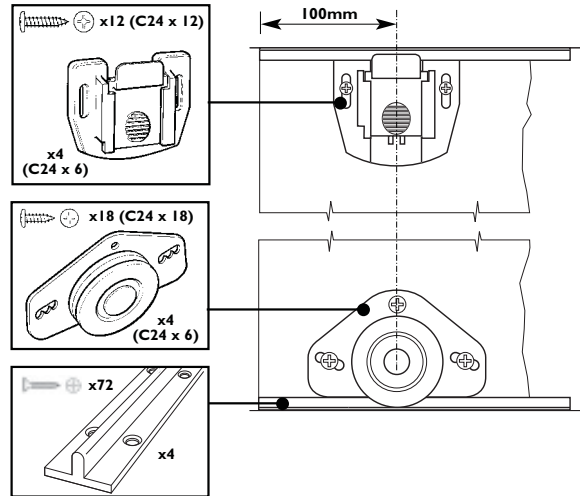
SOFFIT FIXED



Fitting Instructions:



- C15 → Y = 1500mm
 - C18 → Y = 1800mm
 - C24 → Y = 2400mm
- $X = \frac{1}{3}Y + 20\text{mm}$



All dimensions in mm