

Sliding room dividing doors up to 50kg per leaf

Husky 50

Domestic Straight Sliding Door Gear – up to 50kg per leaf

Application

- Reliable and highly versatile gear using precision-made components for trouble free operation.

Door Specification

Max leaf height 2400mm
 Max leaf weight 50kg
 Timber or metal framed doors.

For non-standard installations:

Track: 280 Galvanised steel
 280A Aluminium (Mill)
 280AN Aluminium (Anodised)

Door fittings pack H50N
 Includes two hangers, track stop, retaining stop, floor guide and adjustment spanner.
 Track is available in lengths of 2000mm, 3000mm, 4000mm, and 6000mm.

Brackets:

For mounting track to the face of a wall, space at max 600mm centres.
 Aluminium track brackets 281A
 Aluminium track jointing brackets 281AX

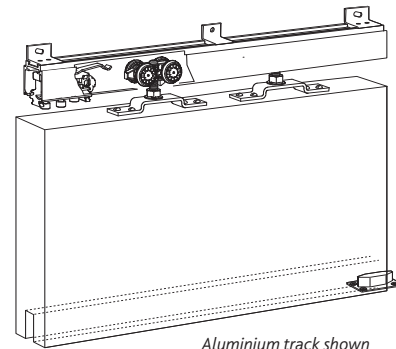
Kit Sets

Kit set for individual doors include a length of track, wall mounting brackets and a door fittings pack.

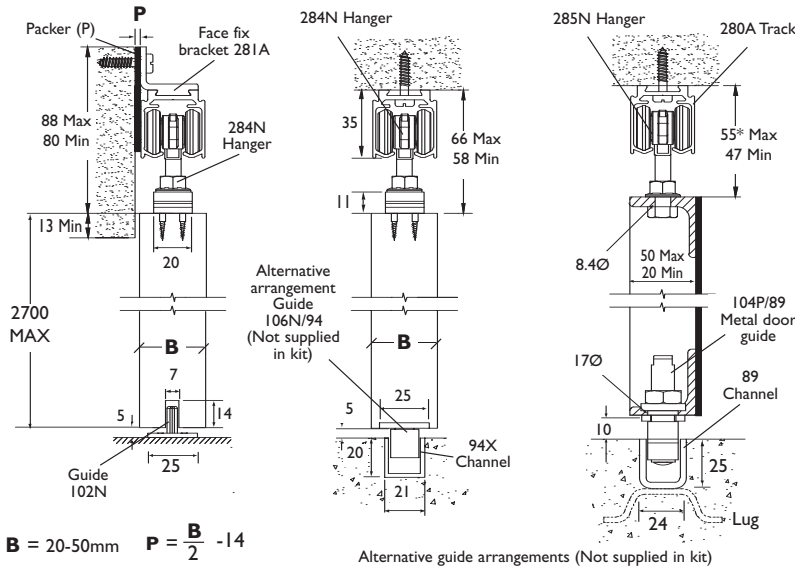
Max leaf size	Max leaf weight	Steel Track	Aluminium Track
2400 x 800 x 50mm	50kg	H50/15	H50/15A
2400 x 950 x 50mm	50kg	H50/18	H50/18A
2400 x 1050 x 50mm	50kg	H50/20	H50/20A
2400 x 1250 x 50mm	50kg	H50/24	H50/24A

Optional Extras:

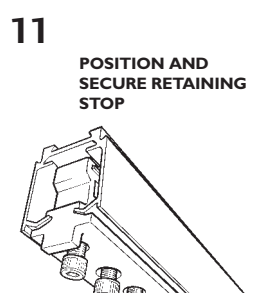
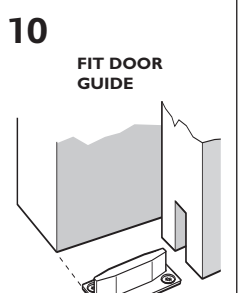
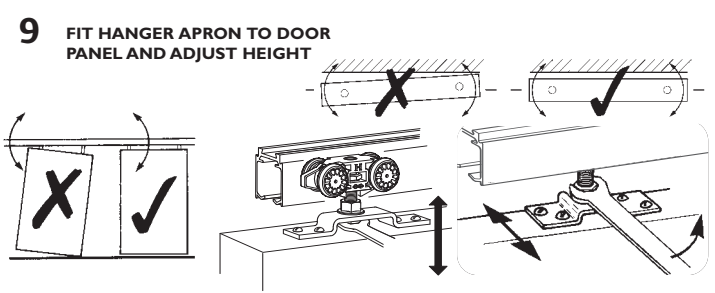
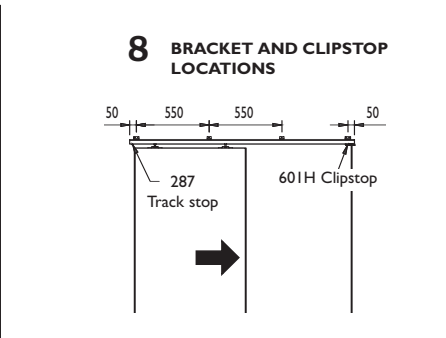
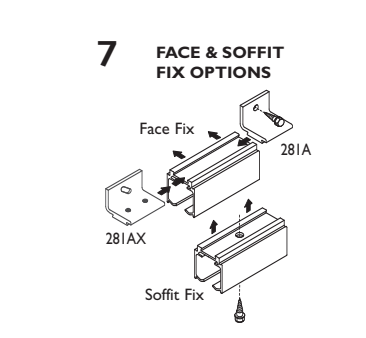
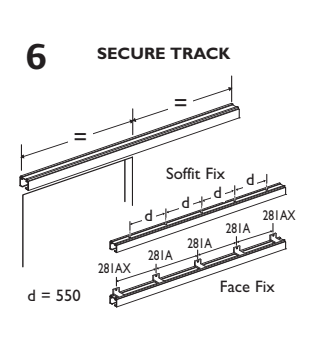
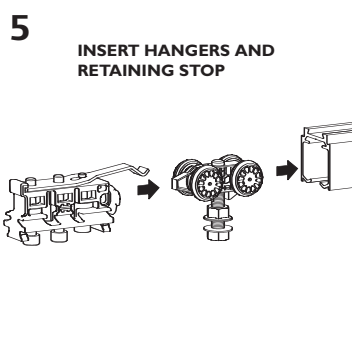
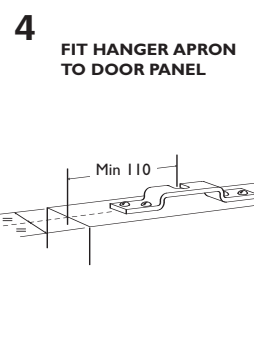
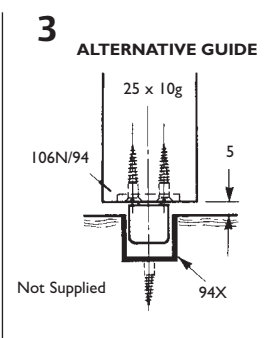
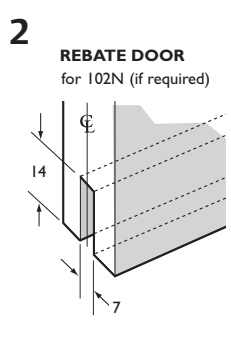
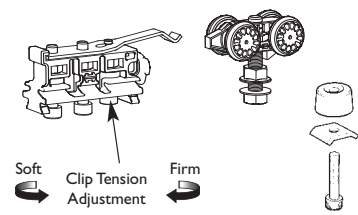
Hanger for metal doors 285N
 Nylon tipped guide 106N/94
 Aluminium floor channel 94x
 Available in 2000mm, 3000mm, 4000mm, and 6000mm.
 Flushpull 414
 Flushpull 400



Fitting Instructions: Aluminium Track

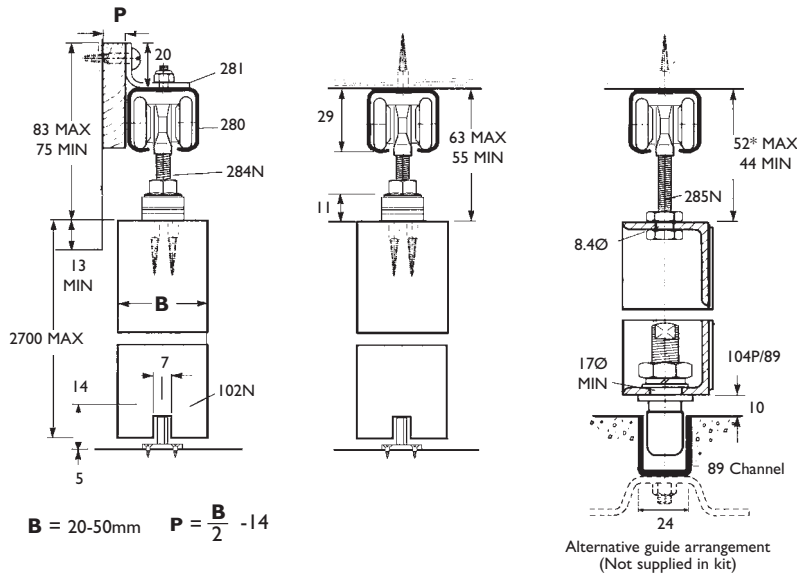


1 ASSEMBLY OF RETAINING STOP, HANGER & TRACK STOP

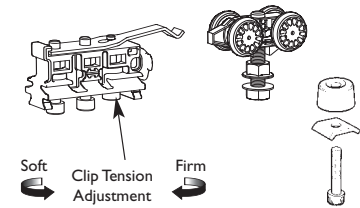


All dimensions in mm

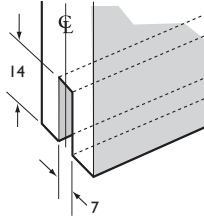
Fitting Instructions: Steel track



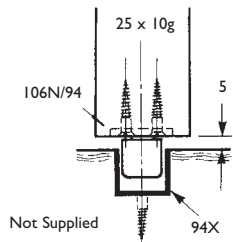
1 ASSEMBLY OF RETAINING STOP, HANGER & TRACK STOP



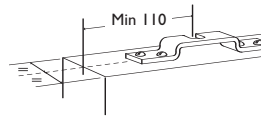
2 REBATE DOOR for 102N (if required)



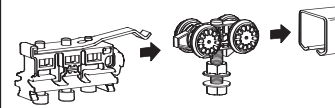
3 ALTERNATIVE GUIDE



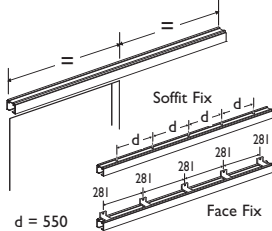
4 FIT HANGER APRON TO DOOR PANEL



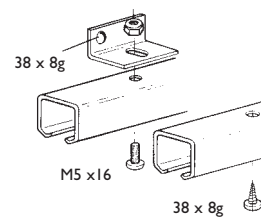
5 INSERT HANGERS AND RETAINING STOP



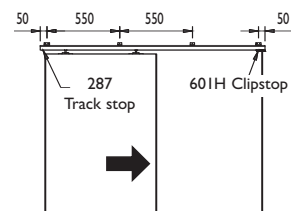
6 SECURE TRACK



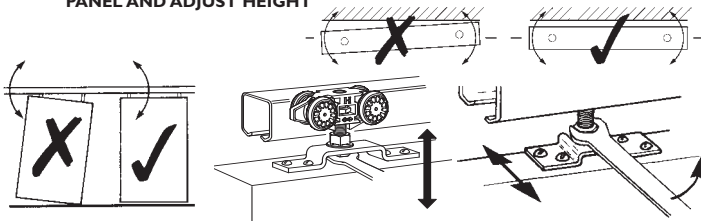
7 FACE & SOFFIT FIX OPTIONS



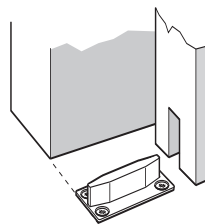
8 BRACKET AND CLIPSTOP LOCATIONS



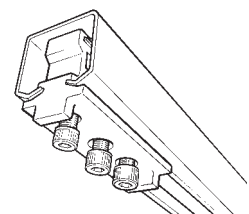
9 FIT HANGER APRON TO DOOR PANEL AND ADJUST HEIGHT



10 FIT DOOR GUIDE



11 POSITION AND SECURE RETAINING STOP



All dimensions in mm