

Application

- ▶ Precision-made, satin-anodised finish aluminium gear for sliding glass doors for domestic and commercial displays, eg. bookshelves, cabinets and hatches.
- ▶ The silent top guide incorporates brush pile strips.
- ▶ The bottom roller incorporates a precision bearing unique to Henderson.
- ▶ Double or multiple lines of track can be fitted.

Door Specification

Max leaf size	1m2 (Max width 900mm)
Max leaf weight	25kg

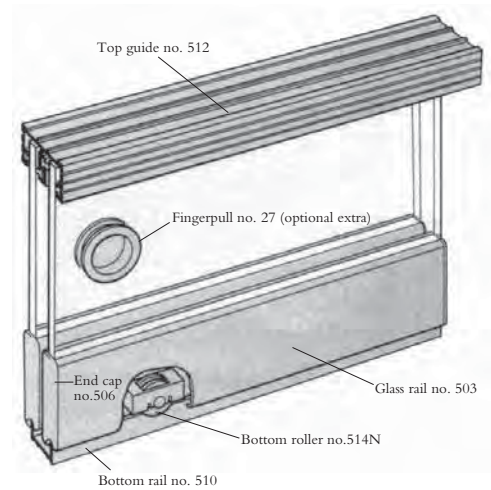
Gear Specification

For opening widths to	2 door kit no
1200mm	Z12
1500mm	Z15
1800mm	Z18

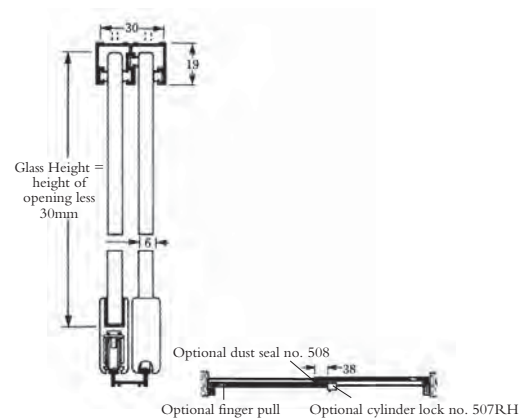
Standard kits for 2 doors contain: top guide, glazing strip, 2 glass rails, 4 nylon tyred bottom rollers, bottom rail, end caps, screws and fixing instructions.

Optional Extras:

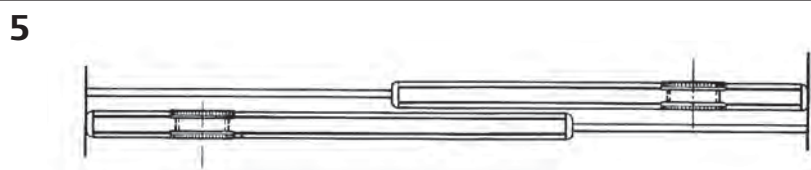
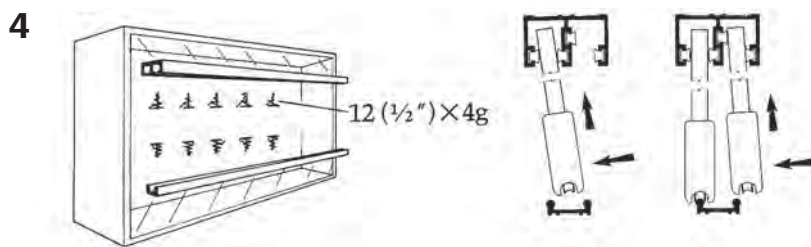
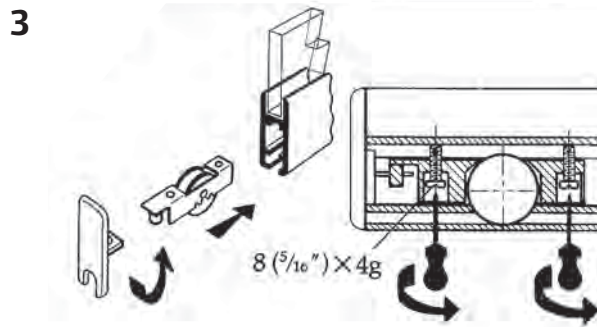
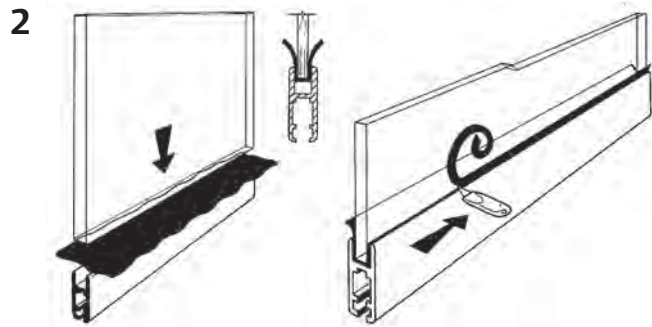
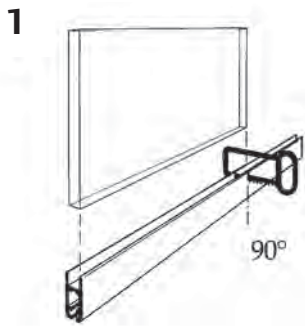
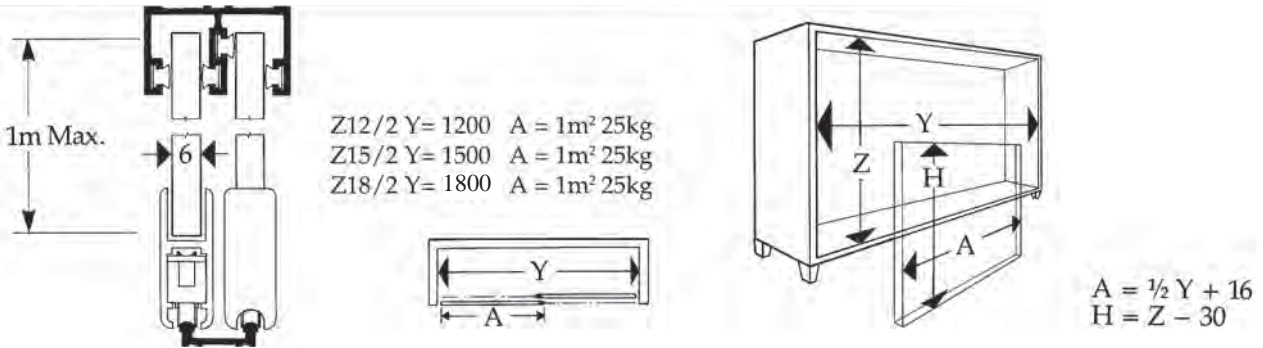
Finger-pull	27
Cylinder lock	507RH or 507LH



SOFFIT FIXED



Fitting Instructions:



All dimensions in mm

Domestic Straight Sliding Door Gear - up to 25kg per leaf