

Sliding double wardrobe doors up to 45kg per leaf

Double Top

Domestic Straight Sliding Door Gear - up to 45kg per leaf

Application

- For a wide range of double leaf, wood or composite sliding doors, with easy soffit fixing top track and floor guides or optional bottom channel.

Door Specification

Max leaf height 2400mm

Max leaf weight 45kg

For 2 or 3 leaf units to a maximum 45kg weight per leaf, and thickness 16-38mm. For heavy use applications fit optional guide no. 113/81X and guide channel no. 81X. For flexibility of layout in multi-leaf applications use reversible hangers. For triple line of doors fit additional Single Top system.

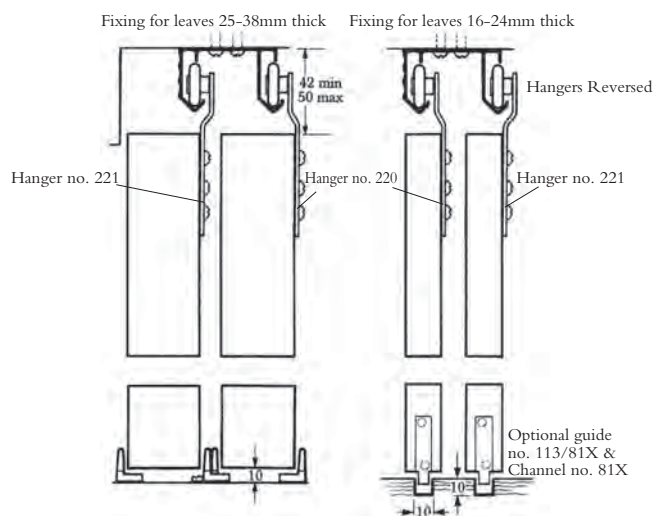
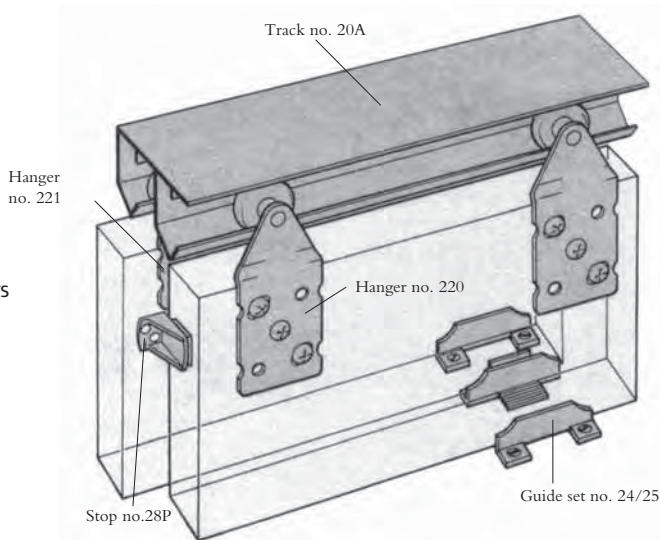
Kit Sets

For door opening widths to	No. doors	Kit no.
1200mm	2	W15
1500mm	2	W15
1800mm	2	W18
2400mm	3	W24

Standard kits for 2 or 3 leaf units contain: jump-proof soffit fixing aluminium track; nylon-tyred, face-fixing, ball-bearing hangers; nylon guides; rubber-buffered stop; screws and fixing instructions.

Optional Extras:

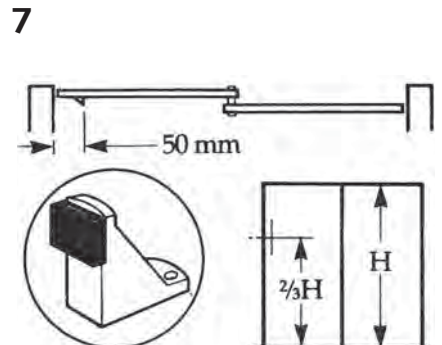
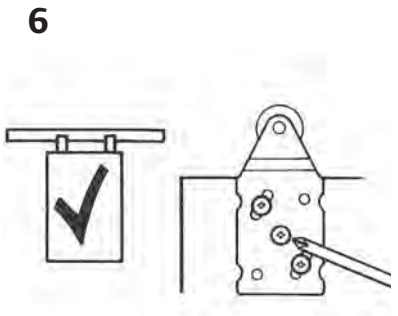
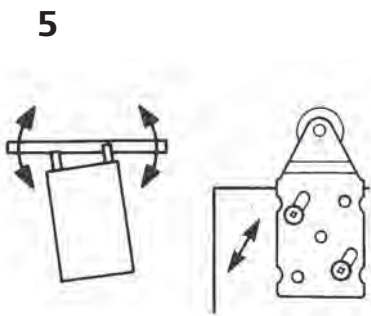
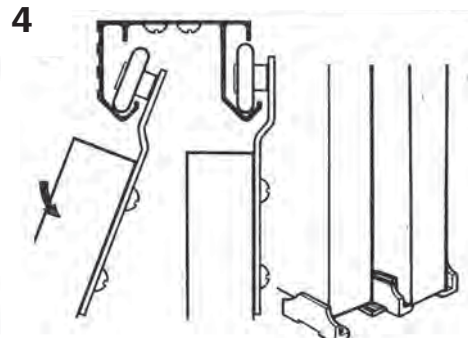
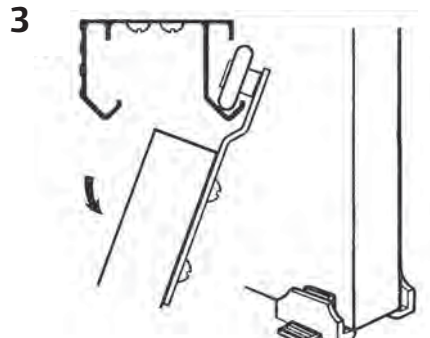
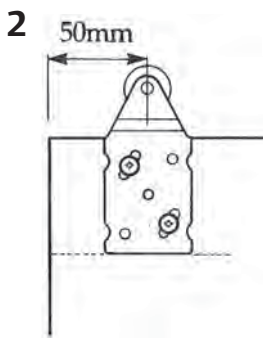
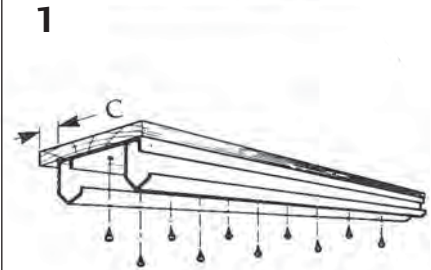
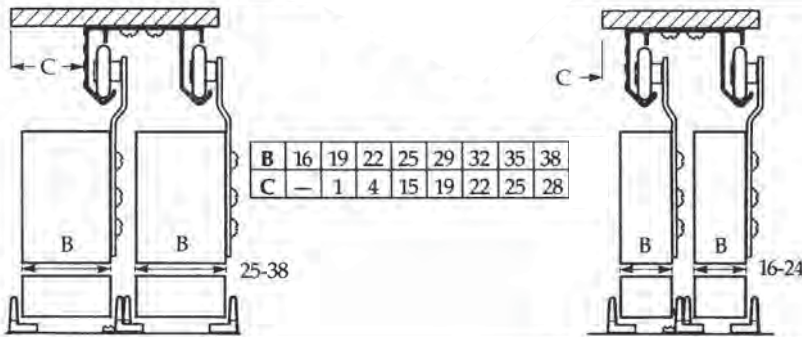
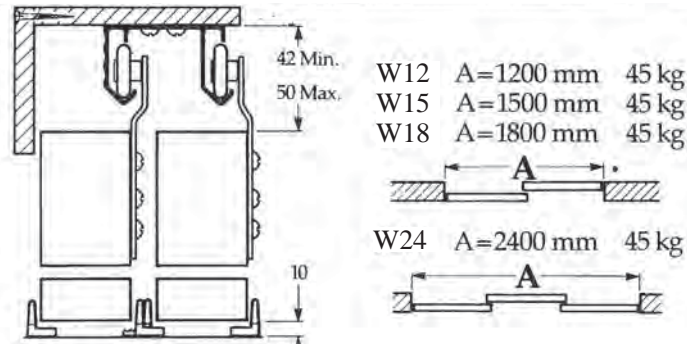
Fittings pack	W01 (1 extra leaf) W02 (2 extra leaves)
Guide	113/81X (Pair)
Guide channel	81X - 1500mm or 3000mm lengths
Flushpull	400
Reversible hangers	222



Double Top

Sliding double wardrobe doors up to 45kg per leaf

Fitting Instructions:



All dimensions in mm

Domestic Straight Sliding Door Gear - up to 45kg per leaf