

# Sliding wardrobe doors up to 30kg per leaf

# Senator Sprint

Domestic Straight Sliding Door Gear - up to 30kg per leaf

## Application

- ▶ Ideal for domestic sliding doors where economy is of major importance.
- ▶ Interior top hung system suitable for lightweight, wood framed doors up to 30kg.
- ▶ Designed for ease of installation with soffit or face fix option, and no need to drill or groove doors.
- ▶ Pelmet available.

## Door Specification

	SENSP3	SENSP5
Max door weight	30kg	30kg
Max opening width	915mm	1525mm
Max door width	955mm	1565mm
Min/max door thickness	20mm-45mm	20mm-45mm
Max door height	2400mm	2400mm

## Kit Sets

SENSP3 - Track length	1800mm
SENSP5 - Track length	3000mm.

Sets comprise of jump-proof face/soffit fix aluminium track, 2 top fixing hangers, guide, stop and fixing instructions.

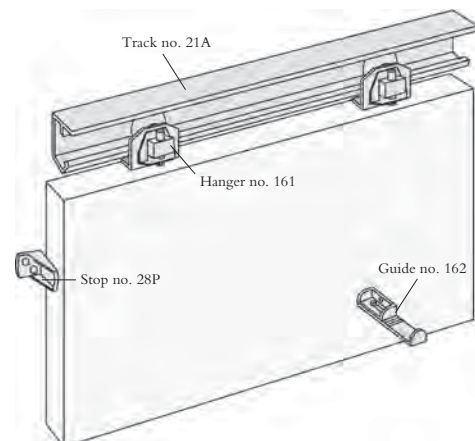
SENSP1 Fittings pack without track for use with one SENSP3 or SENSP5 kit to hang bi-parting doors.

Built in hanger adjustability for ease of installation.

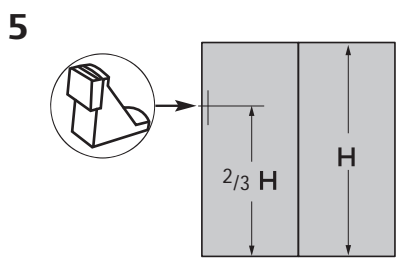
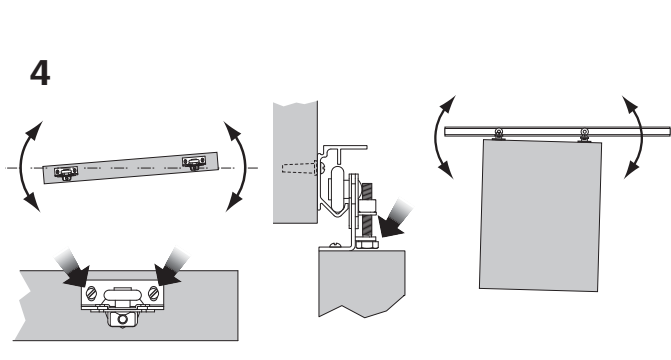
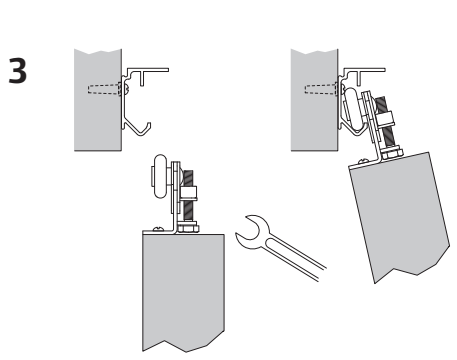
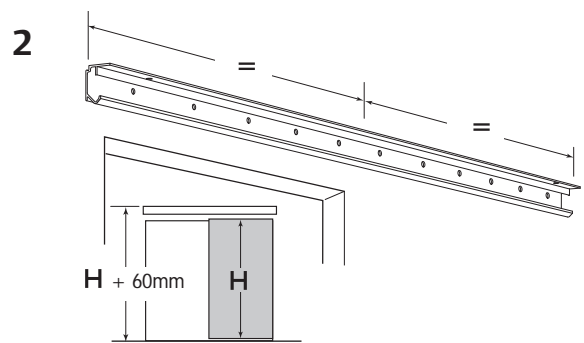
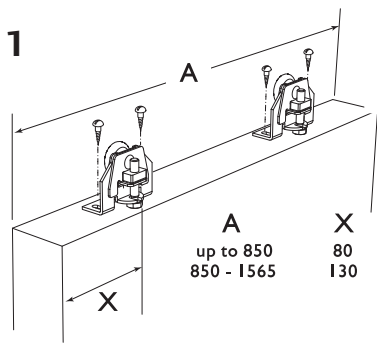
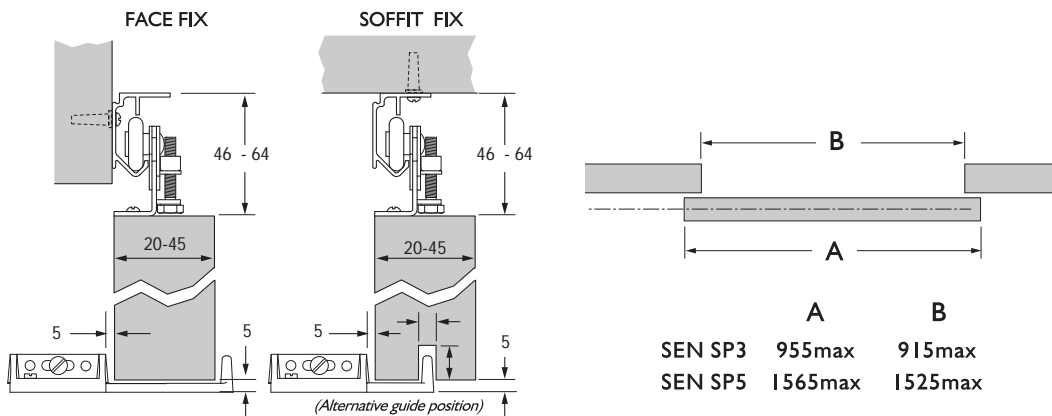
Stop	28P (White nylon door stop)
Guides included:	162 - Adjustable guide and 102N saw cut guide

## Optional Extras:

Pelmet	40P/1854P
White powder coated galvanised steel pelmet available in length of 1854mm. Fits directly over the track.	
Pelmet End Caps	EC40PW
White powder coated galvanised steel end caps fit neatly into the pelmet.	
Flush Pull	400
Aluminium alloy flush pull in a satin adonised finish.	



## Fitting Instructions:



All dimensions in mm