

Sliding wardrobe doors up to 45kg per leaf

Single Top

Domestic Straight Sliding Door Gear - up to 45kg per leaf

Application

► For a wide range of single leaf, wood or composite sliding doors, with face or soffit fixing top track and floor guides or optional bottom channel.

Door Specification

Max leaf Height 40mm
Max leaf weight 45kg

For a single leaf door to a maximum 45kg weight and thickness 16-40mm. For heavy use applications fit optional guide no.113/81X and guide channel no. 81X.

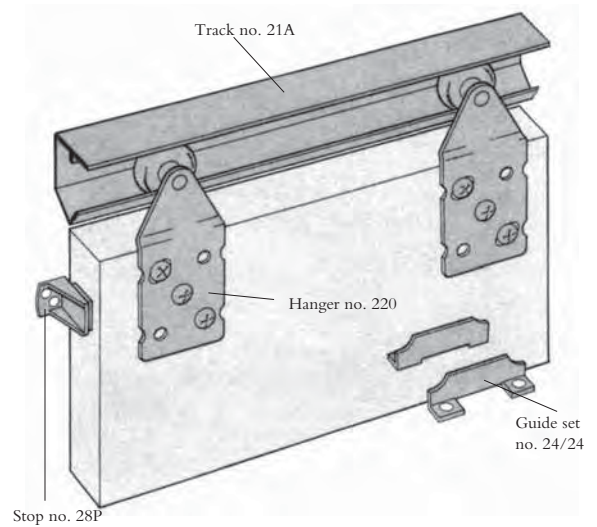
Kit Sets

For single door opening widths to	Kit no.
600mm	ST12
750mm	ST15
900mm	ST18

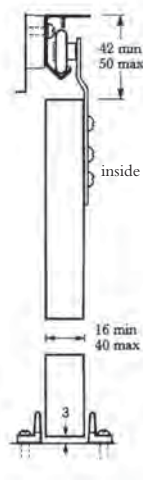
Standard kits for a single leaf door contain: jump-proof face/soffit fixing aluminium section track; nylon-tyred, face-fixing, ball bearing hangers; nylon guides; rubber-buffered stop; screws and fixing instructions.

Optional Extras:

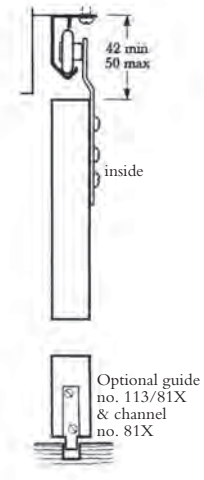
One door fittings pack	ST01
Guide	113/81X (Pair)
Guide channel	81X - 1500mm or 3000mm lengths
Flushpull	400



FACE FIXED



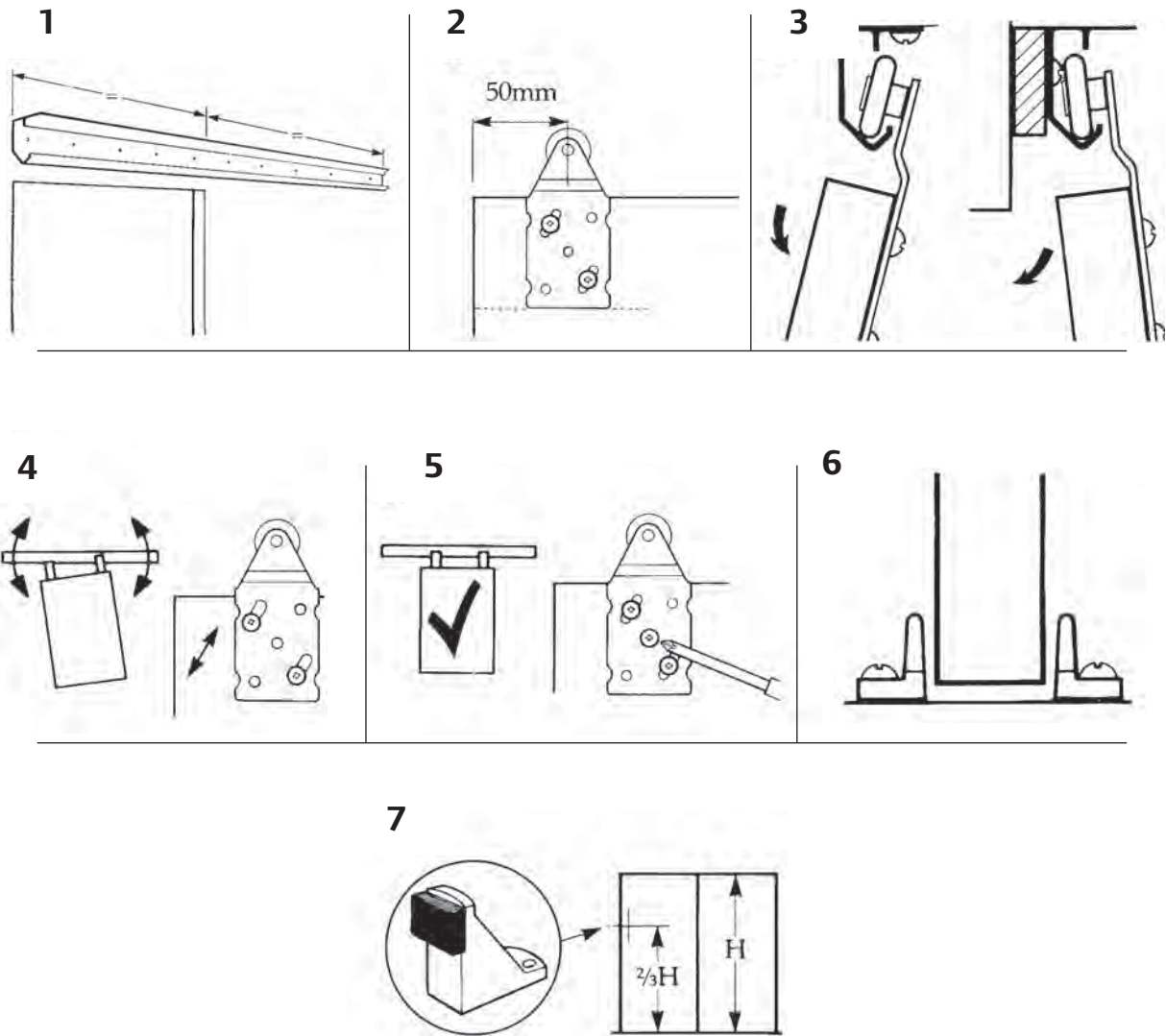
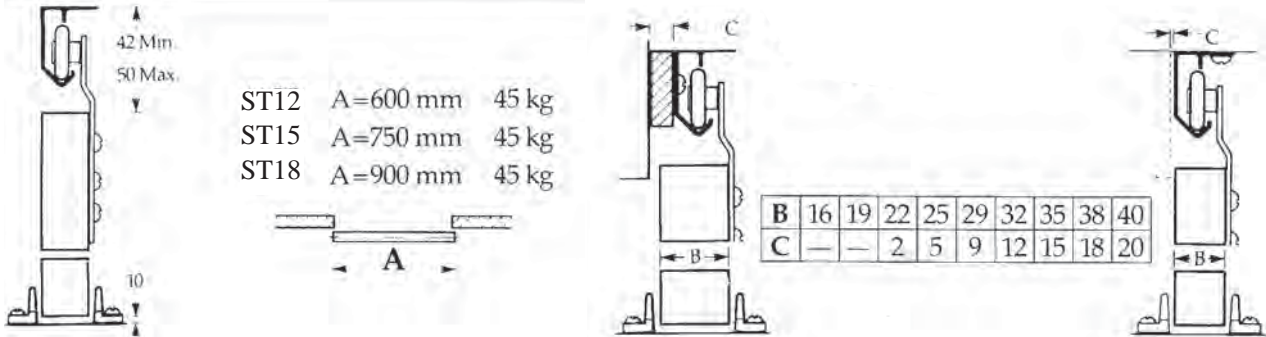
SOFFIT FIXED



Single Top

Sliding wardrobe doors
up to 45kg per leaf

Fitting Instructions:



All dimensions in mm