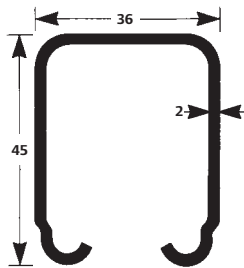


For round-the-corner timber doors
weighing up to 80kg

Tangent Round-The-Corner System No.	290	301	301H	305	
Maximum Leaf Height	2400mm	3300mm	3600mm	4500mm	
Maximum Leaf Weight	35kg	55kg	70kg	80kg	
Maximum Leaf Width (minimum 711mm)	900mm	900mm	900mm	900mm	
Leaf Thickness	35-50mm	45-55mm	45-55mm	45-55mm	
Track Front track = opening width + reveal R - 800 Side track = opening width Available lengths: 2, 3, 4 & 6m	290	301	301H	305	
Track Curves Require 1, or 2 for biparting doors	600K	600B	600BH	600D	
Brackets - face fixing Fix every 900mm max and at track joints and curves Fix jointing brackets/sleeve at both curved ends	1A/290 1AX/290	1A/301 1AX/301	1A/301 1AX/301	1/305 1AX/305	
Hangers 1 per leaf joint and end leaf	Intermediate leaves End Leaf	62K 63K	62A 63A	62A 63A	62C 63C
Hinges 3 in height*	65	65	65	65C	
Guides - 1 per leaf joint and end leaf	Intermediate Leaves End Leaf	67/89 68/89	67/97 68/97	67/97 68/97	67C/97 68C/97
Channel - Same length as track	89	97	97	97	
Channel Curve - No. as track curves	601/89	601/97	601/97	601/97	
Bow Handles 1 every 2 leaves	463	463	463	463	
Flush Pull 1 every 2 leaves	414	414	414	414	
Roller Bolt 1 per swingleaf door	994R	994R	994R	994R	

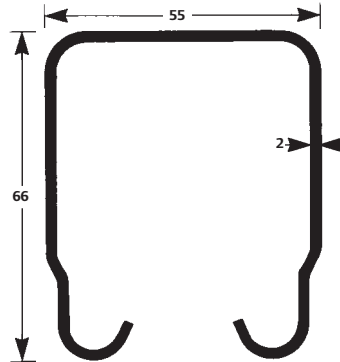
* Increase to 4 for doors over 3000mm high.
Fit offset bolt 994X on doors with trailing swingleaf, on all fixed units, unit of 5 leaves and biparting units.

All dimensions in mm



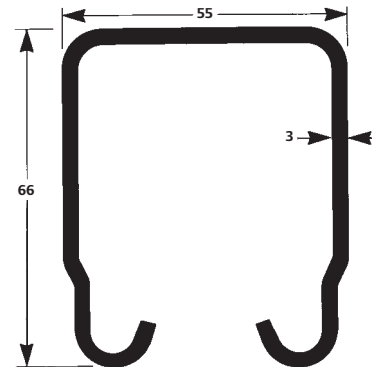
290 Track

Galvanised steel, lengths available in 2000mm, 3000mm, 4000mm and 6000mm



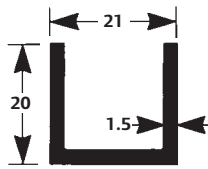
301

Galvanised steel, lengths available in 2000mm, 3000mm, 4000mm and 6000mm



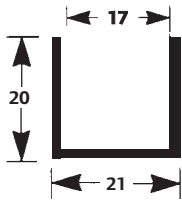
301H

Galvanised steel, lengths available in 2000mm, 3000mm, 4000mm and 6000mm



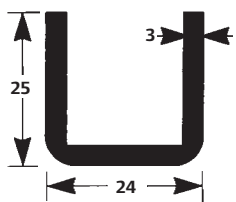
94 Channel

Brass, lengths available in 1500mm and 3000mm



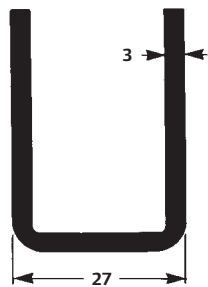
94X Channel

Aluminium - mill finish, lengths available in 2000mm, 3000mm, 4000mm and 6000mm



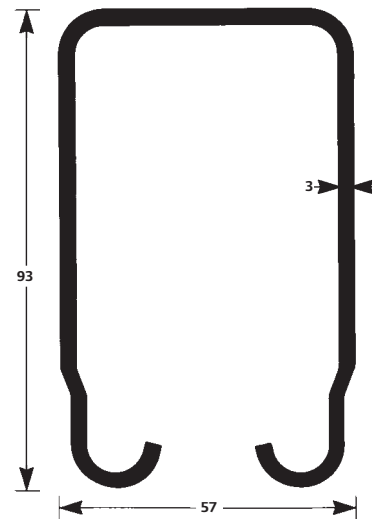
89 Channel

Galvanised steel, lengths available in 2000mm, 3000mm, 4000mm and 6000mm



97 Channel

Galvanised steel, lengths available in 2000mm, 3000mm, 4000mm and 6000mm



305

Galvanised steel, lengths available in 2000mm, 3000mm, 4000mm and 6000mm

All dimensions in mm

Folding doors up
to 35kg per leaf

Tangent Round The Corner 290

Application

- ▶ Designed for residential garages, commercial and light industrial applications.
- ▶ The doors slide clear of the opening and park along the adjacent side wall(s).
- ▶ Round the Corner applications are therefore suitable where a bunched unit of parked leaves would be impractical.
- ▶ To cover any width of opening any number of units can be used on single track.
- ▶ To accommodate different building designs, doors can slide to one or both sides of the opening.

Door Specification

Max Leaf Height	2400mm
Max Leaf Weight	35kg
Max Leaf Width	711-900mm
Leaf Thickness	35-50mm

Units of three, four and five leaves can be hinged together.

The end leaf of a unit nearest the track curve can form a swinging access door.

Clearance between leaves to be 2mm minimum.

Door leaves should be constructed to provide secure fixing for hanger, hinges and guides.

Gear Specification

Track:	290
Material:	Galvanised steel
Standard Lengths:	2000mm, 3000mm, 4000mm and 6000mm.
Track Curves:	600K.

Brackets:

Face fixing	1A/290	Aluminium alloy pressure die casting
Joining bracket	1AX/290	Aluminium alloy pressure die casting

Fix at 900mm centres (maximum).

Joining brackets are located where the track and track curve are butted together.

Hangers:

Intermediate hangers	62K
End hangers	63K

Hangers are fitted with steel wheels on sintered bush bearings.
Vertical adjustment is simple and positive.

Guides:

Intermediate guide	67/89
End guide	68/89

Hinges:

Back-flap	65
-----------	----

All steel parts to hangers and guides are electro-zinc plated.

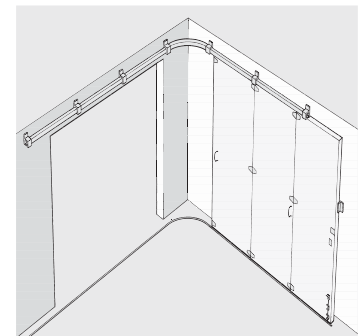
Channel:	89	Galvanised steel
-----------------	----	------------------

Standard lengths correspond with standard track lengths.

Pre-drilled for lugging into concrete and fitting with drainage funnel.

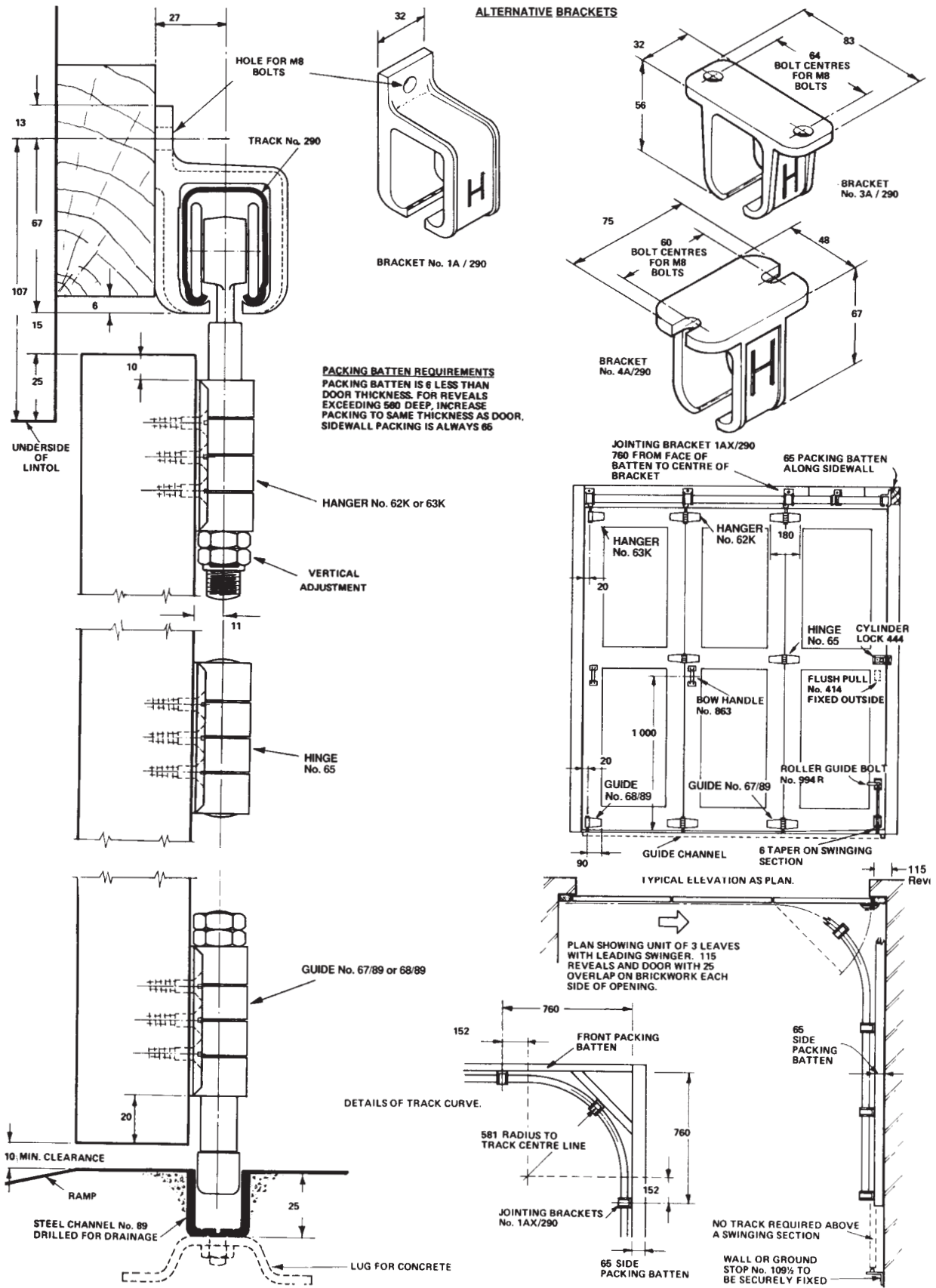
Channel Curve:	601/89	Galvanised steel.
-----------------------	--------	-------------------

Optional Extras:	Bow Handles, Flush Pulls, Bolts and Locks.
-------------------------	--



Industrial Round The Corner Door Gear - up to 35kg per leaf

Fitting Instructions:



All dimensions in mm

Application

- ▶ Designed for larger residential garages, commercial and showroom applications.
- ▶ The doors slide clear of the opening and park along the adjacent side wall(s).
- ▶ Round the Corner applications are therefore suitable where a bunched unit of parked leaves would be impractical.
- ▶ To cover any width of opening any number of units can be used on a single track.
- ▶ To accommodate different building designs, doors can slide to one or both sides of the opening.

Door Specification

	301	301H
For Individual Doors:		
Max Leaf Height	3300mm	3600mm
Max Leaf Weight	55kg	70kg
Max Leaf Width	711-900mm	711-900mm
Leaf Thickness	45-55mm	45-55mm

Units of three, four and five leaves can be hinged together.

The end leaf of a unit nearest the track curve can form a swinging access door.

On openings above 3000mm high or on heavier door leaves access should be a wicket door in one of the leaves.

Clearance between leaves to be 2mm minimum.

Door leaves should be constructed to provide secure fixing for hanger, hinges and guides.

Gear Specification

Track:	301 (2mm thickness) or 301H (2mm thickness)	
Material:	galvanised steel	
Standard Lengths:	2000mm, 3000mm, 4000mm and 6000mm.	
Track Curves:	600B.	

Brackets:

Face fixing	1A/290	Aluminium alloy pressure die casting
Joining bracket	1AX/290	Aluminium alloy pressure die casting

Fix at 900mm centres (maximum).

Joining brackets are located where the track and track curve are butted together.

Hangers:

Intermediate hangers	62A
End hangers	63A

Hangers are fitted with steel wheels on maintenance free sealed for life precision ball bearings.

Vertical adjustment is simple and positive.

Guides:

Intermediate guide	67/97
End guide	68/97

Hinges:

65

For leaves up to 3300mm high fit 1 hinge, leaves above 3300mm fit 2 hinges.

All steel parts to hangers and guides are electro-zinc plated.

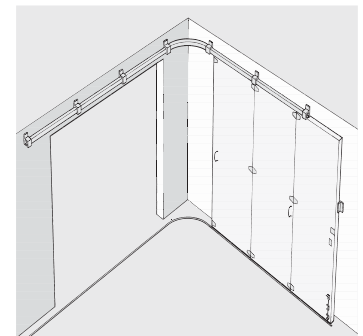
Channel: 97 89 Galvanised steel

Standard lengths correspond with standard track lengths.

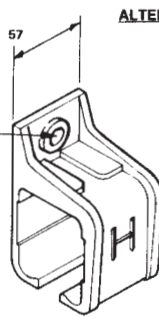
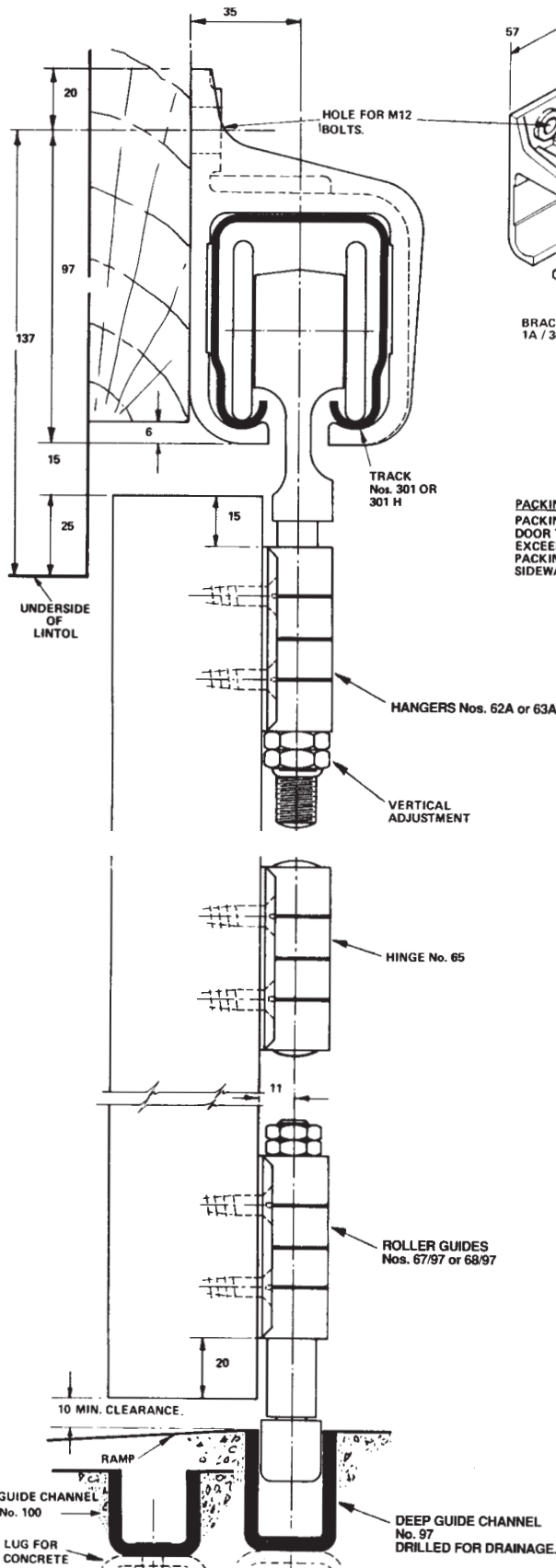
Pre-drilled for lugging into concrete and fitting with a drainage funnel.

Channel Curve: 601/97 Galvanised steel.

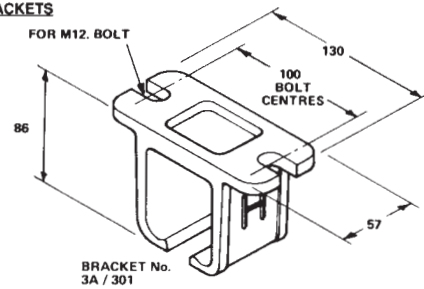
Optional Extras: Bow Handles, Flush Pulls, Bolts and Locks.



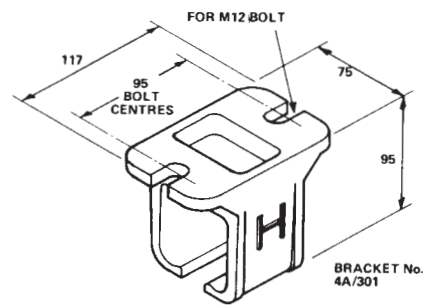
Fitting Instructions:



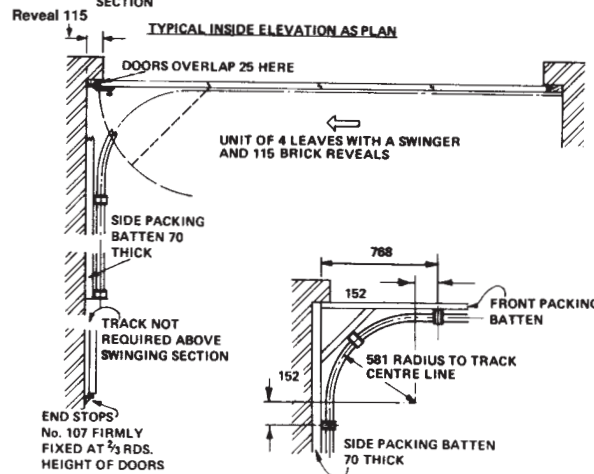
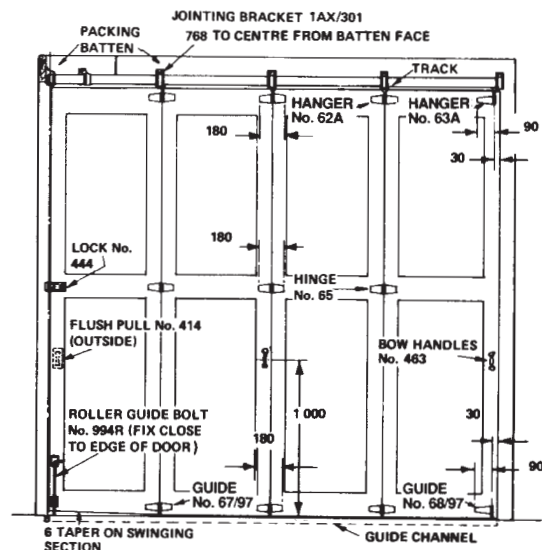
ALTERNATIVE BRACKETS



BRACKET No. 1A / 301



PACKING BATTEN REQUIREMENTS
PACKING BATTEN IS 18 LESS THAN DOOR THICKNESS. FOR REVEALS EXCEEDING 560 DEEP, INCREASE PACKING BY 6
SIDEWALL PACKING IS ALWAYS 70



All dimensions in mm

Folding doors up
to 80kg per leaf

Tangent Round The Corner 305

Industrial Round The Corner Door Gear - up to 80kg per leaf

Application

- ▶ Designed for larger and heavier commercial and industrial garage applications where robust gear is required.
- ▶ The doors slide clear of the opening and park along the adjacent side wall(s).
- ▶ Round the Corner applications are therefore suitable where a bunched unit of parked leaves would be impractical.
- ▶ To cover any width of opening any number of units can be used on a single track.
- ▶ To accommodate different building designs, doors can slide to one or both sides of the opening.

Door Specification

Max Leaf Height	4500mm
Max Leaf Weight	80kg
Max Leaf Width	711-900mm
Leaf Thickness	45-55mm

Units of three, four and five leaves can be hinged together.

Service access should be in the form of a wicket door situated in one of the door leaves.

Clearance between leaves to be 2mm minimum.

Door leaves should be constructed to provide secure fixing for hanger, hinges and guides.

Gear Specification

Track:	305
Material:	Galvanised steel
Standard Lengths:	2000mm, 3000mm, 4000mm and 6000mm.
Track Curves:	600D.

Brackets:

Face fixing	1A/305	Aluminium alloy pressure die casting
Joining bracket	1AX/305	Aluminium alloy pressure die casting

Fix at 900mm centres (maximum).

Joining brackets are located where the track and track curve are butted together.

Hangers:

Intermediate hangers	62C
End hangers	63C

Hangers are fitted with steel wheels on maintenance free sealed for life precision ball bearings.

Vertical adjustment is simple and positive.

Guides:

Intermediate guide:	67C/97
End guide:	68C/97

Hinges:

65C

For leaves up to 3300mm high fit 1 hinge, leaves above 3300mm fit 2 hinges.

All steel parts to hangers and guides are electro-zinc plated.

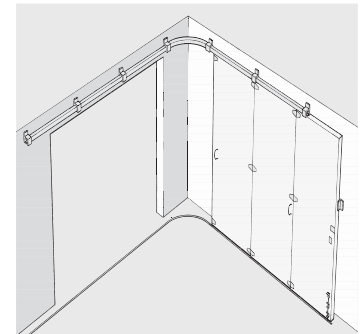
Channel: 97 Galvanised steel

Standard lengths correspond with standard track lengths.

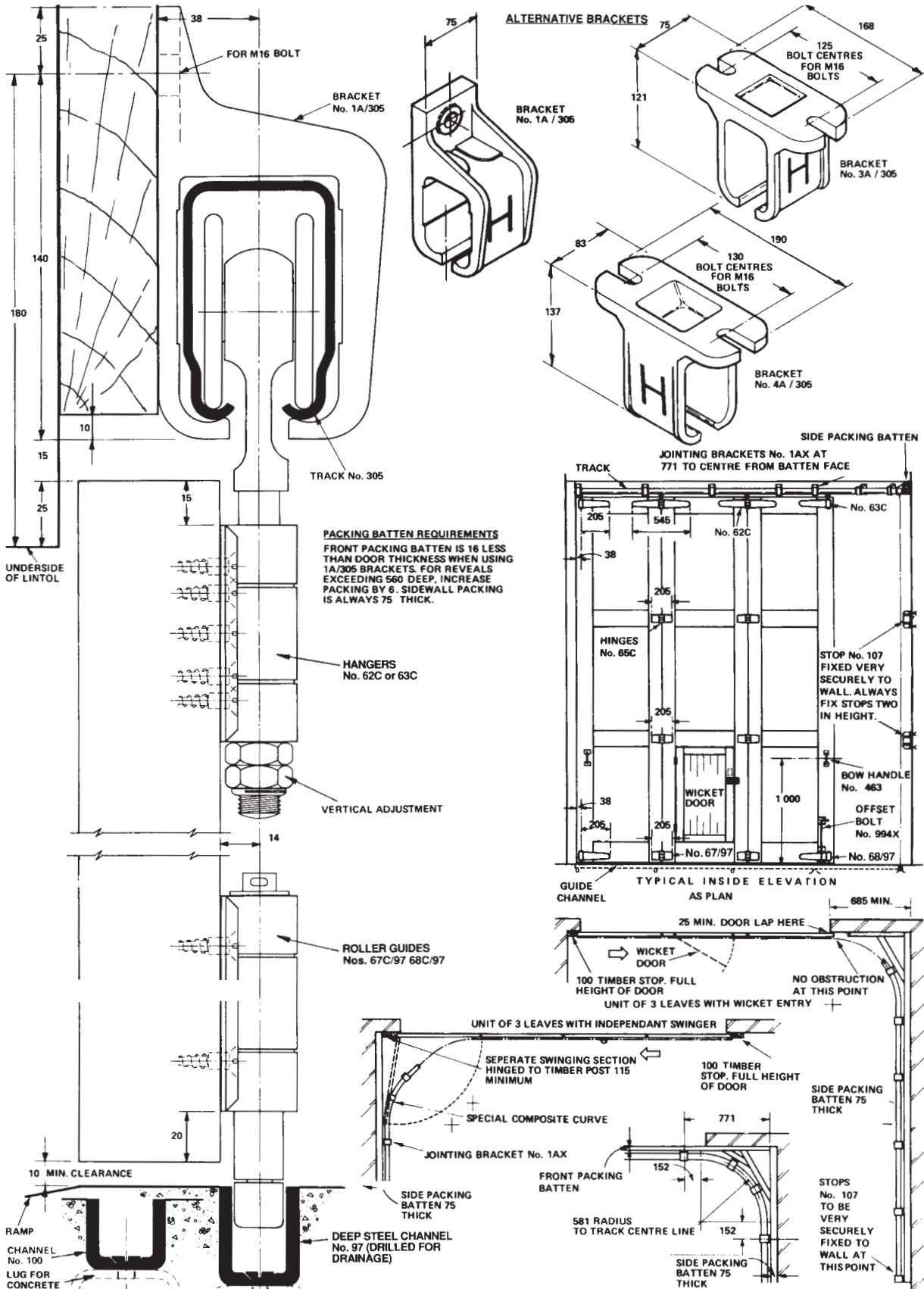
Pre-drilled for lugging into concrete and fitting with a drainage funnel.

Channel Curve: 601/97 Galvanised steel.

Optional Extras: Bow Handles, Flush Pulls, Bolts and Locks.



Fitting Instructions:



All dimensions in mm