

Industrial timber and metal framed doors up to 2000kg

290-307 Wood Door System No.	290	301	301	301H	305	307
Maximum Door Height	3000mm	3600mm	3600mm	4200mm	4800mm	6000mm
Maximum Door Width	**	**	**	**	**	**
Maximum Door Weight	150kg	300kg	400kg	450kg	700kg	2000kg
Door Thickness	35-48mm	43-57mm	43-57mm	43-57mm	43-57mm	60-70mm
Track Twice the width of doors Available lengths: 1.8, 2, 2.5, 3, 4 & 6m	290	301	301	301H	305	307*
Brackets , single run (face fixing)	1A/290	1A/301	1A/301	1A/301	1A/305	1/307/S
Brackets , double run, (face-fixing)	5/290	5/301	5/301	5/301	5/305	5/307/S
Brackets , single run (soffit fixing) fix every 900mm max and at track joints	3A/290	3A/301	3A/301	3A/301	3A/305	3/307/S
Hangers 2 per door Wood Doors - apron fixing	53K/N	53A/S	53A/N	53A/N	53C/S	53FJ/S
Wood Door - angle plate fixing	52K/N	52A/S	52A/N	52A/N	52C/S	
Wood Doors - concealed fixing	57K/N	57A/S	57A/N	57A/N	57C/S	
All Hangers with suffix/N have nylon wheels, and /S have steel wheels.						
Guide Channel same length as track	89	97	97	97	97	97
Guides 2 per door Wood Doors	105R/89	102/97	102/97	102/97	102/97	102/97
Wood Doors - concealed fixing	106R/94	106R/97	106R/97	106R/97	106R/97	106R/97
Flush Pull 1 per door	414	414	414	414	414	413
Bow Handle 1 per door (use flush pulls only on double runs of track)	863	463	463	463	463	464

Nylon wheeled hangers (eg 53A/N) - Not to be used for fire resistant door installations involving temperatures exceeding 80°C.

* Max. length 3m. ** For optimum operation the door width should not exceed 3/4 of the door height.

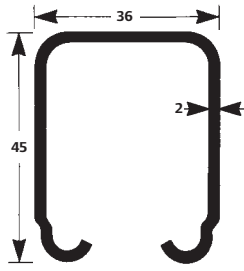
290-307 Metal Door System No.	290	301	301	301H	305	307
Maximum Door Height	3000mm	3600mm	3600mm	4200mm	4800mm	6000mm
Maximum Door Width	****	****	****	****	****	****
Maximum Door Weight	150kg	300kg	400kg	450kg	700kg	2000kg
Door Thickness	35-48mm	43-57mm	43-57mm	43-57mm	43-57mm	60-70mm
Track Twice the width of doors (more if the doors slide further) Available lengths: 1.8, 2, 2.5, 3, 4 & 6m	290*	301	301*	301H*	305	307***
Brackets , single run (face fixing)	1A/290	1A/301	1A/301	1A/301	1A/305	1/307/S
Brackets , double run, (face-fixing)	5/290	5/301	5/301	5/301	5/305	5/307/S
Brackets , single run (soffit fixing) fix every 900mm max and at track joints	3A/290	3A/301	3A/301	3A/301	3A/305	3/307/S
Hangers 2 per door Metal Doors - angle frame	56K/S	56A/S	56A/N	56A/N	56C/S	56FJ/S
Metal Door - box frame	56KX/S/56A/X/56AX/N/56AX/N			56CX/S	56FJ/S	
Metal Doors - concealed plate	57K/N	57A/S	57A/N	57A/N	57C/S	
Metal Doors - firedoors		56AF/S		56AF/S**	56CF/S	
All Hangers with suffix/N have nylon wheels, and /S have steel wheels.						
Guide Channel same length as track	89	97	97	97	97	97
Guides 2 per door Metal Doors - angle frame	104P/89	104P/97	104P/97	104P/97	104P/97	104P/97
Metal Doors - box frame	104PX/89	104PX/97	104PX/97	104PX/97	104PX/97	104PX/97

* Nylon wheeled hangers (eg 56A/N) - Not to be used for fire resistant door installations involving temperatures exceeding 80°C.

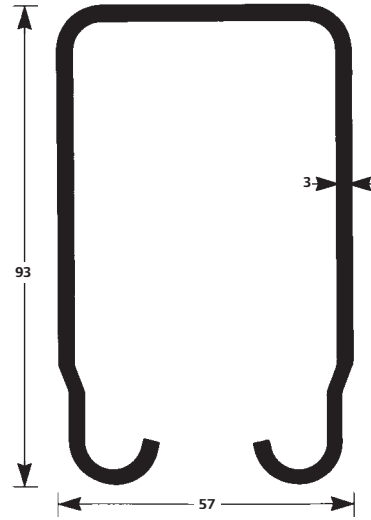
** If used with 301H track give max. capacity of 360kg.

*** Max. length 3m. **

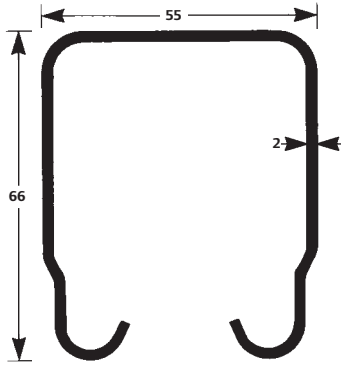
**** For optimum operation the door width should not exceed 3/4 of the door height.



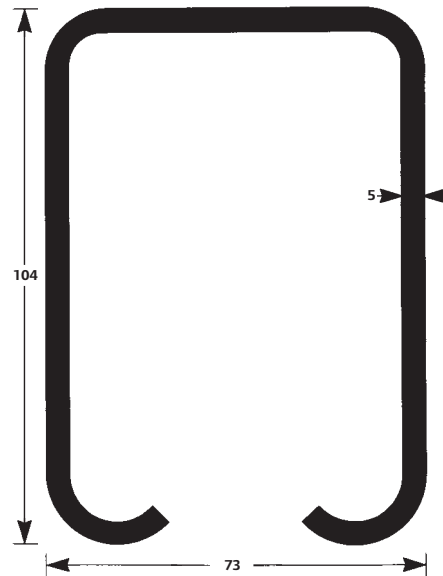
290
Galvanised steel, lengths available in 2000mm, 3000mm, 4000mm and 6000mm



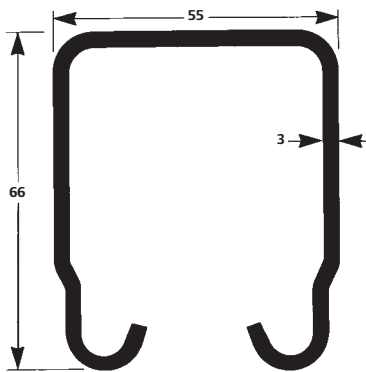
305
Galvanised steel, lengths available in 2000mm, 3000mm, 4000mm and 6000mm



301
Galvanised steel, lengths available in 2000mm, 3000mm, 4000mm and 6000mm



307
Zinc plated steel, lengths available in 2000mm, and 4000mm

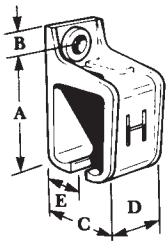


301H
Galvanised steel, lengths available in 2000mm, 3000mm, 4000mm and 6000mm

All dimensions in mm

Note: Where steel wheel hangers are used - track should be greased every 6 months to maintain free movement.

BRACKETS - FACE FIXED



No. 1 or 1A

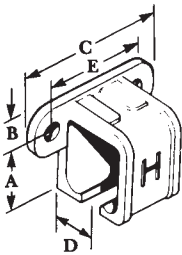
Cat No.	A	B	C	D	E	Bolt
1A/290	67	13	52	32	27	M8
1/290/S	75	13	55	60	27	M8
1A/301	97	19	73	57	35	M12
1/301/S	95	16	69	60	37	M12
1A/305	140	25	85	76	38	M16
1/307/S	159	24	91	75	45	M16



Bracket End Clips, 1A/290 EC and 1A/301 EC. For converting brackets Nos. 1, 1A, 3A, 4A, 5, 5AA & 6/301 to closed brackets in the 290,301 & 301H formats

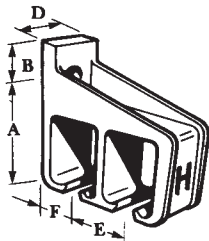


New 1/301/S steel bracket is fully compatible with previous design and also accepts the 1A/301 EC End Clips.



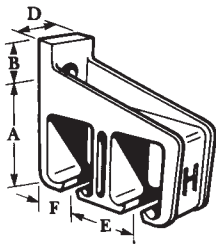
No. 9 or 9A

Cat No.	A	B	C	D	E	Bolt
9A/290	43	16	70	24	51	1/4" Screw
9/301/S	65	12	125	38	89	1/8" Screw
9A/305	84	38	160	59	130	M12
9/307/S	84	50	184	69	140	M16



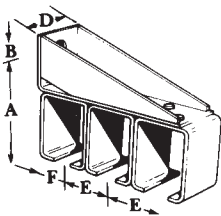
No. 5AA

Cat No.	A	B	D	E	F	Bolt
5AA/301	110	35	57	65	38	M16



No. 5

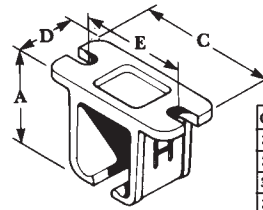
Cat No.	A	B	D	E	F	Bolt
5/290	80	20	38	54	27	M12
5/301	110	33	57	79	39	M16
5/305	155	38	75	92	48	M20
5/307/S	192	26	102	91	45	M20



No. 7

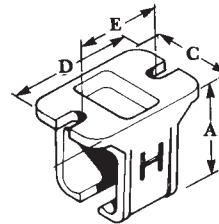
Cat No.	A	B	D	E	F	Bolt
7/301/S	116	38	60	66	40	M16

BRACKETS - SOFFIT FIXED



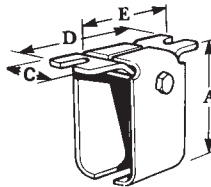
No. 3 or 3A

Cat No.	A	B	C	D	E	Bolt
3A/290	56	-	83	32	64	M8
3A/301	86	-	130	57	100	M12
3/301/S	88	-	130	57	97	M12
3A/305	121	-	168	75	125	M16
3/307/S	158	-	184	90	140	M16



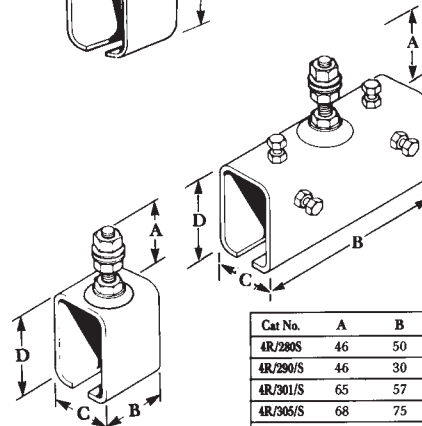
No. 4 or 4A

Cat No.	A	B	C	D	E	Bolt
4A/290	67	-	48	75	60	M8
4A/301	95	-	75	117	95	M12
4A/305	137	-	83	190	130	M16
4/307/S	158	-	91	84	140	M16



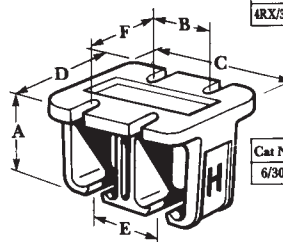
No. 4/301/S

Cat No.	A	B	C	D	E	Bolt
4/301/S	94	-	45	117	95	M12



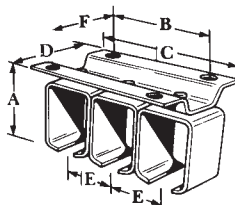
No. 4R

Cat No.	A	B	C	D	Bolt
4R/280S	46	50	35	35	M10
4R/290/S	46	30	44	53	M10
4R/301/S	65	57	65	78	M12
4R/305/S	68	75	71	107	5/8" Whit
4R/307/S	72	75	91	134	M20
4RX/301TS	70	145	64	70	M12



No. 6

Cat No.	A	B & E	C	D	F	Bolt
6/301	95	79	152	127	92	M10

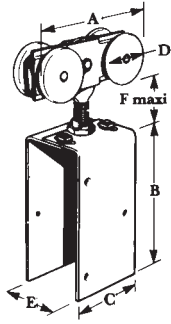


No. 8

Cat No.	A	B	C	D	E	F	Bolt
8/301/S	98	127	178	118	66	92	M12

All dimensions in mm

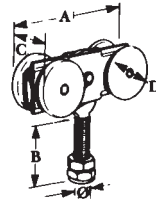
Hangers:



No.53 WOOD DOORS

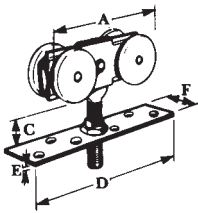
Track No.	Hanger No.	Dimensions						Door weight Capacity
		A	B	C	D	E	F	
290	53K/N	87	95	57	37	35-48	150Kg	
	53K/S	87	95	57	37	35-48	150Kg	
301	53A/S	142	178	76	56	43-57	300Kg	
	53A/N	142	178	76	56	43-57	400Kg	
301H	53A/S	142	178	76	56	43-57	360Kg	
305	53C/S	161	178	76	75	43-57	700Kg	
	53F/S	215	390	65	88	60	2000Kg	

No.56 METAL DOORS



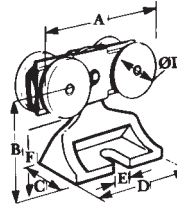
Track No.	Hanger No.	Dimensions					Door weight Capacity
		A	B	C	D	Ø	
290	56K/N	87	32	27	37	10	150Kg
	56K/S	87	32	27	37	10	150Kg
301	56A/S	142	70	42	56	16	300Kg
	56A/N	142	70	42	56	16	400Kg
301H	56A/S	142	70	42	56	16	360Kg
305	56C/S	161	70	42	75	16	700Kg
	56F/S	215	86	55	88	20	2000Kg

No.57 WOOD DOORS



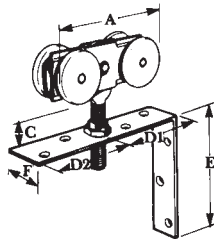
Track No.	Hanger No.	Dimensions						Door weight Capacity
		A	C	D	E	F		
290	57K/N	87	31	140	5	25	150Kg	
	57K/S	87	31	140	5	25	150Kg	
301	57A/S	142	57	184	6	38	300Kg	
301H	57A/N	142	57	184	6	38	450Kg	
305	57C/S	161	61	184	6	38	700Kg	

No.56F FIRE DOORS



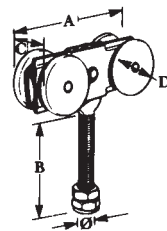
Track No.	Hanger No.	Dimensions							Door weight Capacity
		A	B	C	D	Ø	E	F	
301	56AF/S	142	81	45	83	56	17	53	300Kg
301H	56AF/S	142	81	45	83	56	17	53	360Kg
305	56CF/S	161	89	45	83	75	17	51	700Kg

No.52 WOOD DOORS



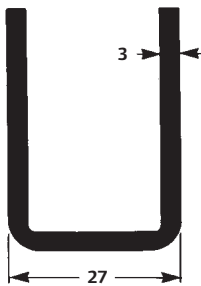
Track No.	Hanger No.	Dimensions						Door weight Capacity
		A	C	D1	D2	E	F	
290	52K/S	87	31	77	51	134	25	150Kg
	52K/N	87	31	77	51	134	25	150Kg
301	52A/S	142	57	102	127	165	38	300Kg
301H	52A/N	142	57	102	127	165	38	450Kg
305	52C/S	161	61	102	127	165	38	700Kg

No.56X METAL DOORS

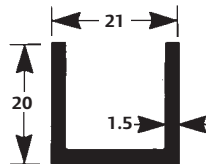


Track No.	Hanger No.	Dimensions					Door weight Capacity
		A	B	C	D	Ø	
290	56KX/S	87	110	27	37	10	150Kg
	56KX/N	87	110	27	37	10	200Kg
301	56AX/S	142	146	42	56	16	300Kg
	56AX/N	142	146	42	56	16	400Kg
301H	56AX/S	142	146	42	56	16	360Kg
	56AX/N	142	146	42	56	16	450Kg
305	56CX/S	161	146	42	75	16	700Kg
	56FX/S	215	140	55	88	20	2000Kg

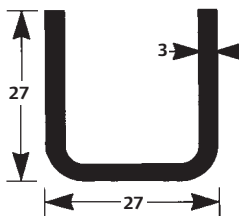
Channel:



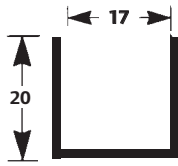
97 Channel
Galvanised steel, lengths available in 2000mm, 3000mm, 4000mm and 6000mm



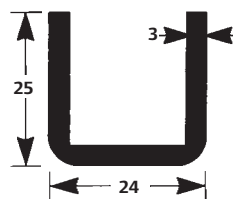
94 Channel
Brass, lengths available in 1500mm and 3000mm



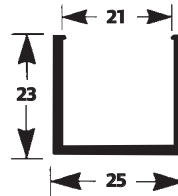
100 Channel
Galvanised steel, lengths available in 2000mm, 3000mm, 4000mm and 6000mm



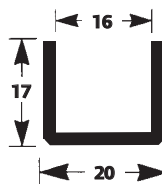
94X Channel
Aluminium - mill finish, lengths available in 2000mm, 3000mm, 4000mm and 6000mm



89 Channel
Galvanised steel, lengths available in 2000mm, 3000mm, 4000mm and 6000mm



94SC Channel
Aluminium - mill finish, lengths available in 2000mm, 3000mm, 4000mm and 6000mm. *For use with 94P channel where a square edge cannot be achieved in the floor recess. Eg in a concrete floor.



94P Channel
Polypropylene, lengths available in 2000mm, 3000mm, 4000mm and 6000mm. *Can be used as a stand-alone channel where the floor recess has square edges. Eg in a timber floor or used in conjunction with 94SC channel where this cannot be achieved.

All dimensions in mm

Application

- ▶ Widely used in lighter commercial and industrial applications.
- ▶ To cover any width of opening, any number of doors can be used on single or multiple lines of track.
- ▶ To accommodate different building designs, doors can slide to one or both sides.
- ▶ A wicket door for easy access may be incorporated into a sliding door.
- ▶ Where doors are fitted externally, a canopy is recommended.

Door Specification

Max door height	3000mm
Max door weight	150kg
Door thickness	35-48mm

For ease of operation it is recommended that the door width should not exceed 75% of door height.

Timber doors for industrial applications should be framed, ledged and braced. Metal doors should be constructed of channel or angle framing, well braced and clad with flat or corrugated sheets.

Gear Specification

Track:	290 (2mm thickness)	
Material:	Galvanised steel.	
Standard lengths:	2000mm, 3000mm, 4000mm, and 6000mm.	

Brackets:

For single track (face fixing)	1/290S	Pressed steel galvanised
For single track (face fixing)	1A/290	Aluminium alloy pressure die casting
For double track (face fixing)	5/290	Aluminium alloy pressure die casting
For single track (soffit fixing)	3A/290	Aluminium alloy pressure die casting

Brackets for special applications are available. Fix at 900mm centres (maximum).

Track should be greased every six months when steel wheeled hangers are used.

Hangers 2 per door:	Nylon wheels	Steel Wheels
Wood framed doors - apron fixing	53K/N	53K/S
Wood framed doors - angle plate fixing	52K/N	52K/S
Wood framed doors - concealed fixing	57K/N	57K/S
Metal framed doors - angle frame	56K/N	56K/S
Metal framed doors - box frame	56KX/N	56KX/S

All hangers suffixed 'N' have silent running nylon wheels and 'S' have steel wheels. Nylon wheeled hangers should not be used on installations involving temperatures exceeding 80°C.

Hangers are fitted with sintered bush bearings. Vertical adjustment is simple and positive.

Track should be greased every six months when steel wheeled hangers are used.

Guides:

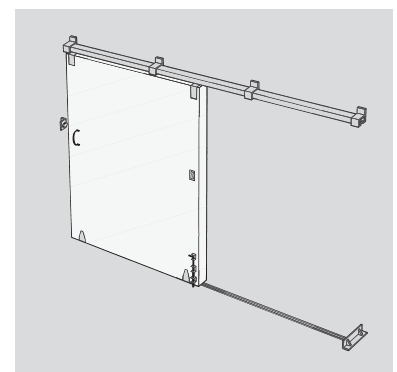
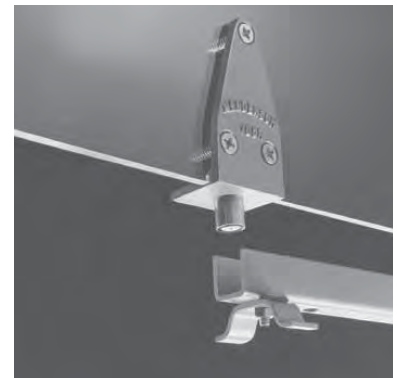
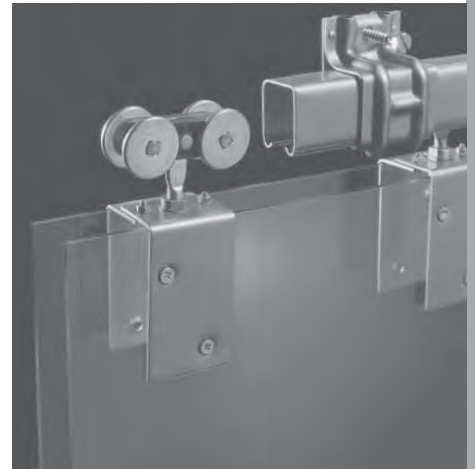
Wood framed doors - concealed fixing	106R/94
Metal framed doors - angle frame	104N/94
Metal framed doors - box frame	104NX/94

All steel parts are electro zinc-plated.

Channel:	94X	Aluminium
	94	Brass

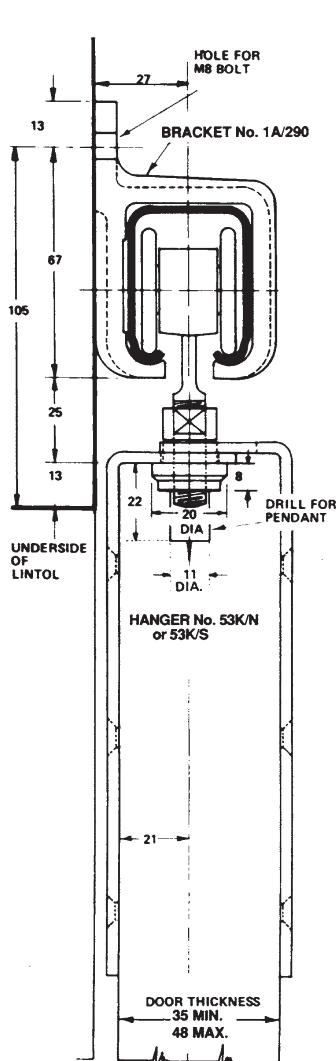
Standard lengths of steel and aluminium channel correspond with standard track lengths, standard lengths of brass channel are 1500mm and 3000mm.

Optional Extras: Bow Handles, Flush Pulls, Flush Bolts and locks.

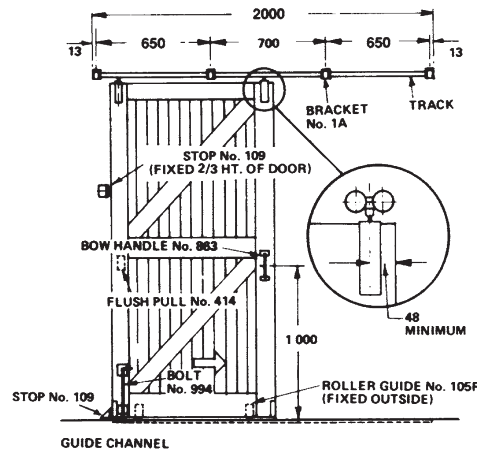
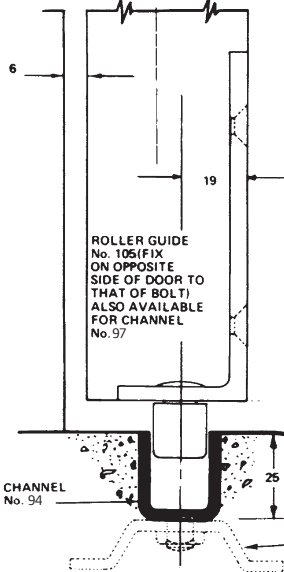


Fitting Instructions:

Refer to Straight Sliding Tables for
hanger and bracket selection



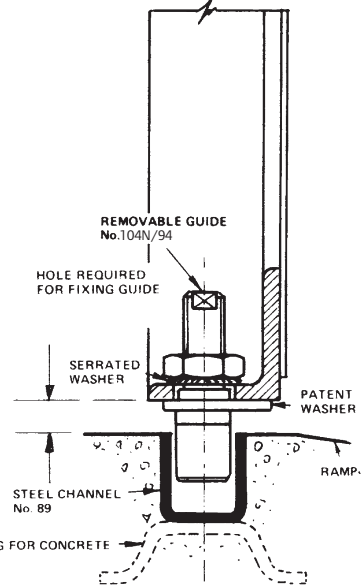
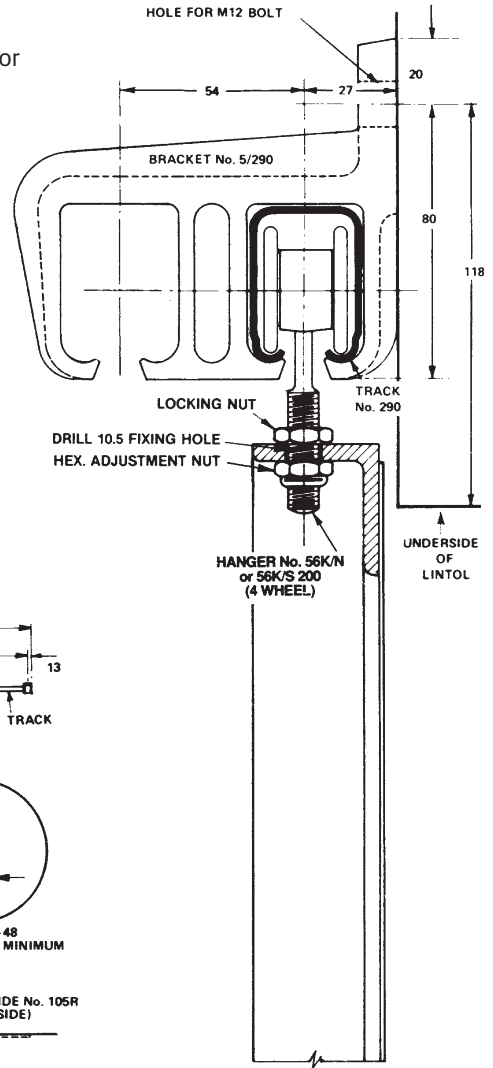
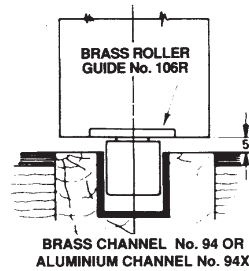
SECTION SCALE 1 : 2



STANDARD TRACK LENGTH	1 800	2 000	2 500	3 000
NORMAL BRACKET SPACING	900	700	800	750

FOR HEAVY DOORS, OR THOSE SUBJECTED TO ABNORMAL USE, BRACKET CENTRES SHOULD BE REDUCED BY USING ONE EXTRA BRACKET PER TRACK LENGTH.

NOTE: When using hangers with steel wheels - Track must be greased every 6 months. Nylon wheel hangers should not be used in areas where temperatures exceed 80°C.



All dimensions in mm

Application

- ▶ Widely used in commercial, industrial and agricultural applications.
- ▶ To cover any width of opening, any number of doors can be used on single or multiple lines of track.
- ▶ To accommodate different building designs, doors can slide to one or both sides.
- ▶ A wicket door for easy access may be incorporated into a sliding door.
- ▶ Where doors are fitted externally, a canopy is recommended.
- ▶ Suitable for Fire Resistant applications - Steel wheel hangers only.

Door Specification

Track:	301	301H
Max door height	3600mm	4200mm
Max door weight	400kg	450kg
Door thickness	43-57mm	35-48mm

Nylon wheeled hangers should not be used for fire resistant doors or installations involving temperatures exceeding 80°C. For ease of operation it is recommended that the door width should not exceed 75% of door height. Timber doors for industrial applications should be framed, ledged and braced. Metal doors should be constructed of box section or angle framing, well braced and clad with flat or corrugated sheets.

Gear Specification

Track:	301 (2mm thickness) or 301H (3mm thickness)
Material:	Galvanised steel.
Standard lengths:	2000mm, 3000mm, 4000mm, and 6000mm.

Brackets:

For single track (face fixing)	1/301S	Pressed steel zinc plated
For single track (face fixing)	1A/301	Aluminium alloy pressure die casting
For double track (face fixing)	5/301	Aluminium alloy pressure die casting
For single track (soffit fixing)	3A/301	Aluminium alloy pressure die casting
For single track (soffit fixing)	3/301S	Pressed steel zinc plated

Brackets for special applications are available. Fix at 900mm centres (maximum).

Hangers 2 per door:

	Steel wheels	Nylon wheels
Wood doors apron fixing	53A/S	53A/N
Wood doors corner plate fixing	52A/S	52A/N
Wood doors concealed fixing	57A/S	57A/N
Metal angle framed doors	56A/S	56A/N
Metal box framed doors	56AX/S	56AX/N

All hangers suffixed 'N' have silent running nylon wheels and 'S' have steel wheels. Nylon wheeled hangers should not be used on installations involving temperatures exceeding 80°C.

Hangers are fitted with maintenance free sealed for life precision ball bearings.

Vertical adjustment is simple and positive.

Track should be greased every six months when steel wheeled hangers are used.

Guides:

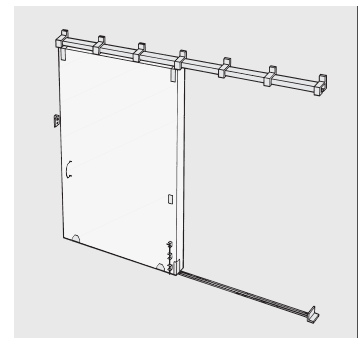
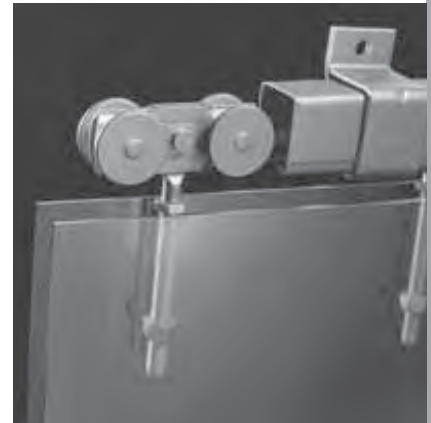
Wood doors	102/97
Wood doors concealed fixing	106R/97
Metal angle framed doors	104P/97
Metal box framed doors	104PX/97.

All steel parts are electro zinc-plated.

Channel:	97	Galvanised steel
-----------------	----	------------------

Standard lengths correspond with standard track lengths.

Optional Extras: Bow Handles, Flush Pulls, Flush Bolts and locks.



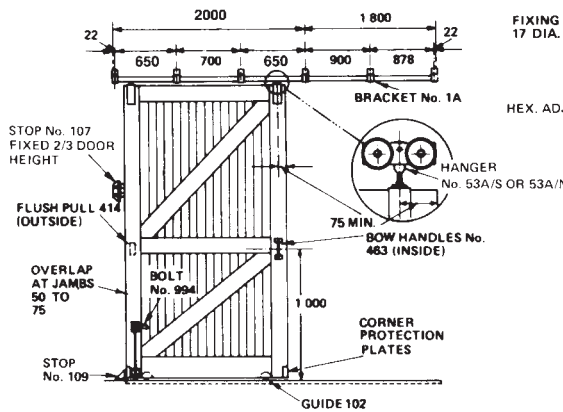
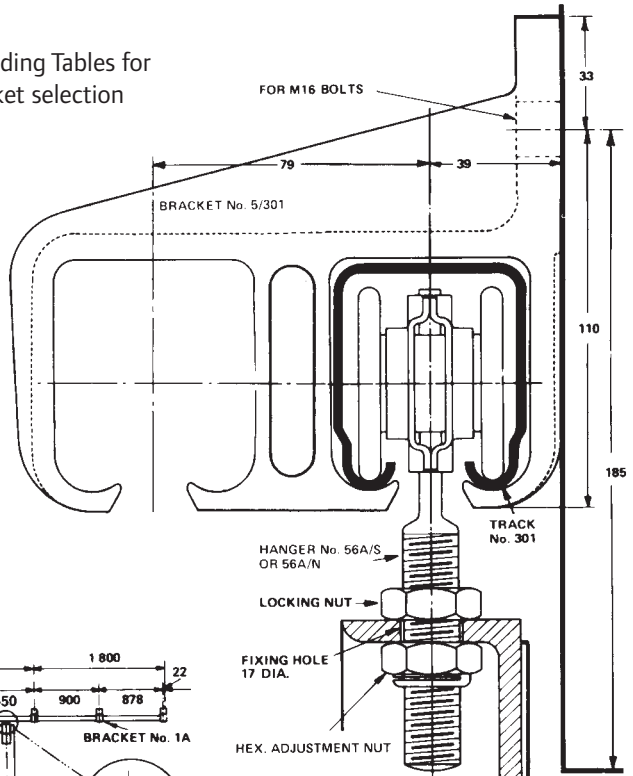
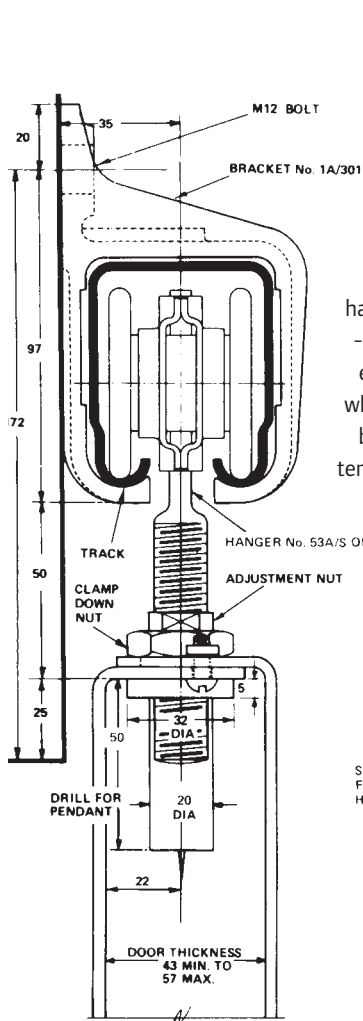
Straight Sliding 301

Doors up to 450kg per leaf

Fitting Instructions:

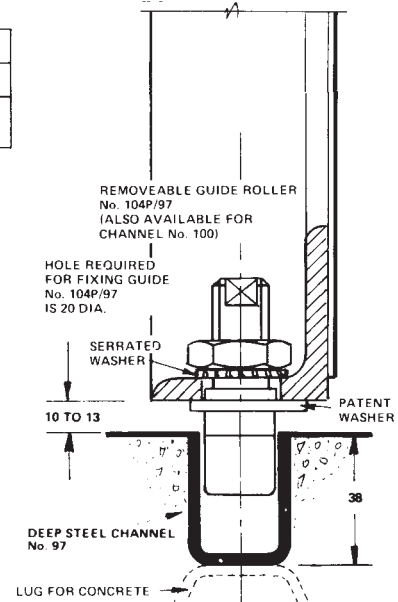
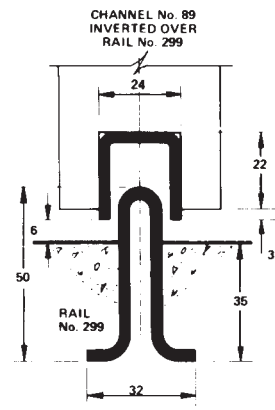
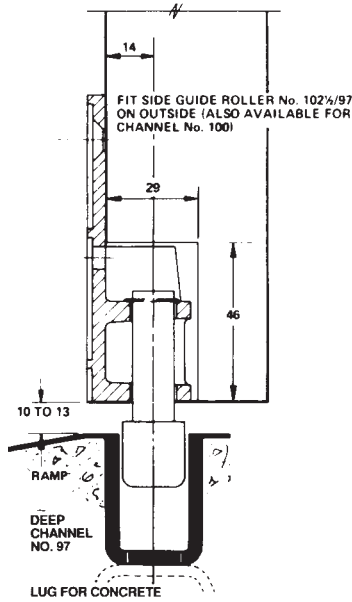
Refer to Straight Sliding Tables for hanger and bracket selection

NOTE: When using hangers with steel wheels - Track must be greased every 6 months. Nylon wheel hangers should not be used in areas where temperatures exceed 80°C.



STANDARD TRACK LENGTH	1800	2000	2500	3000
NORMAL BRACKET SPACING	900	700	800	750

FOR HEAVY DOORS, OR THOSE SUBJECTED TO ABNORMAL USE, BRACKET CENTRES SHOULD BE REDUCED BY USING ONE EXTRA BRACKET PER TRACK LENGTH.



All dimensions in mm

Application

- ▶ Widely used in commercial, industrial and agricultural applications where robust gear is required.
- ▶ To cover any width of opening, any number of doors can be used on single or multiple lines of track.
- ▶ To accommodate different building designs, doors can slide to one or both sides.
- ▶ A wicket door for easy access may be incorporated into a sliding door.
- ▶ Where doors are fitted externally, a canopy is recommended.
- ▶ Suitable for Fire Resistant applications - Steel wheel hangers only.

Door Specification

Max door height	4800mm
Max door weight	700kg
Door thickness	43-57mm

For ease of operation it is recommended that the door width should not exceed 75% of door height. Timber doors for industrial applications should be framed, ledged and braced. Metal doors should be constructed of channel or angle framing, well braced and clad with flat or corrugated sheets.

Gear Specification

Track:	305 (3mm thickness)
Material:	Galvanised steel.
Standard lengths:	2000mm, 3000mm, 4000mm, and 6000mm.

Brackets:		
For single track (face fixing)	1A/305	Aluminium alloy pressure die casting
For double track (face fixing)	5/305	Aluminium alloy pressure die casting
For single track (soffit fixing)	3A/305	Aluminium alloy pressure die casting
Fix at every 900mm centres (maximum).		

Hangers 2 per door:

Wood doors apron fixing	53C/S
Wood doors corner plate fixing	52C/S
Wood doors concealed fixing	57C/S
Metal angle framed doors	56C/S
Metal box framed doors	56CX/S

Hangers are fitted with steel wheels on maintenance free sealed for life precision ball bearings. Vertical adjustment is simple and positive.

Track should be greased every six months when steel wheeled hangers are used.

Guides:

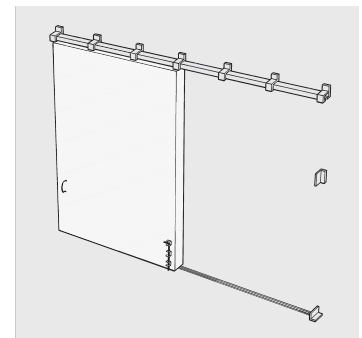
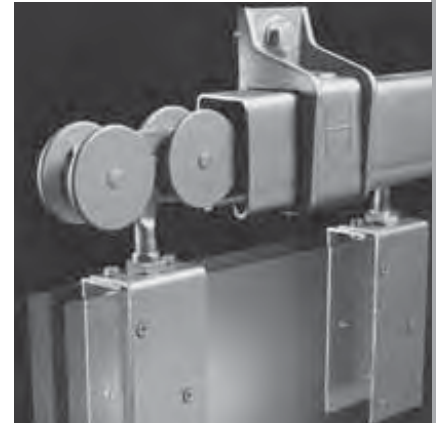
Wood doors	102/97
Wood doors concealed fixing	106R/97
Metal doors angle frame	104P/97
Metal doors box frame	104PX/97

All steel parts are electro-zinc plated.

Channel:	97	Galvanised steel
-----------------	----	------------------

Standard lengths correspond with standard track lengths.

Optional Extras: Bow Handles, Flush Pulls, Flush Bolts and locks.

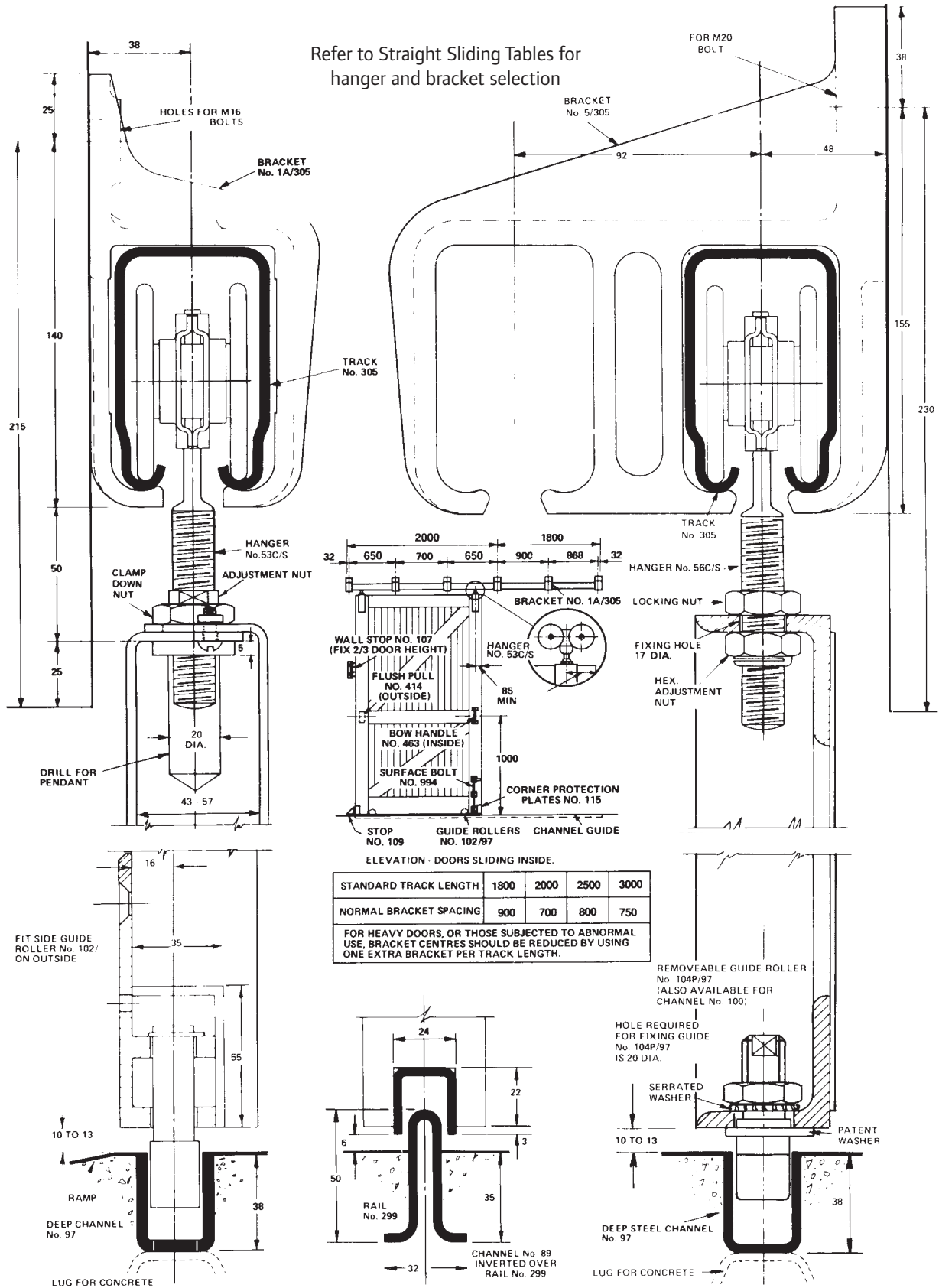


Straight Sliding 305

Doors up to 700kg per leaf

Industrial Straight Sliding Door Gear - up to 700kg per leaf

Fitting Instructions:



Application

- ▶ Designed to allow very heavy and large industrial doors to be easily moved.
- ▶ To cover any width of opening, any number of doors can be used on single or multiple lines of track.
- ▶ To accommodate different building designs, doors can slide to one or both sides.
- ▶ A wicket door for easy access may be incorporated into a sliding door.
- ▶ Where doors are fitted externally, a canopy is recommended.

Door Specification

Max door height	6000mm
Max door weight	2000kg
Door thickness	60-70mm

For ease of operation it is recommended that the door width should not exceed 75% of door height. Timber doors for industrial applications should be framed, ledged and braced. Metal doors should be constructed of channel or angle framing, well braced and clad with flat or corrugated sheets.

Gear Specification

Track:	307
Material:	Steel zinc plated
Standard lengths:	2000mm and 4000mm

Brackets:		
For single track (face fixing)	1/307S	Pressed steel zinc plated
For double track (face fixing)	5/307S	Pressed steel zinc plated
For single track (soffit fixing)	3/307S	Pressed steel zinc plated

Fix at every 900mm centres (maximum).

Hangers 2 per door:

Wood doors apron fixing	53FJ/S
Metal doors angle frame	56FJ/S
Metal doors box frame	56FJX/S

Hangers are fitted with steel wheels on maintenance free sealed for life precision ball bearings. Vertical adjustment is simple and positive.

Track should be greased every six months when steel wheeled hangers are used.

Guides 2 per door:

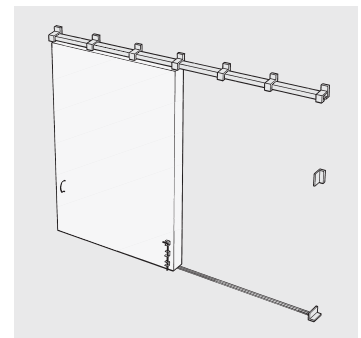
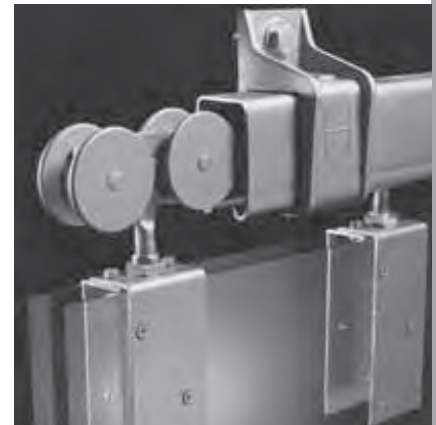
Wood doors	102/97
Wood doors concealed fixing	106R/97
Metal angle framed doors	104P/97
Metal box framed doors	104PX/97

All steel parts are electro-zinc plated.

Channel:	97	Galvanised steel
-----------------	----	------------------

Standard lengths correspond with standard track lengths.

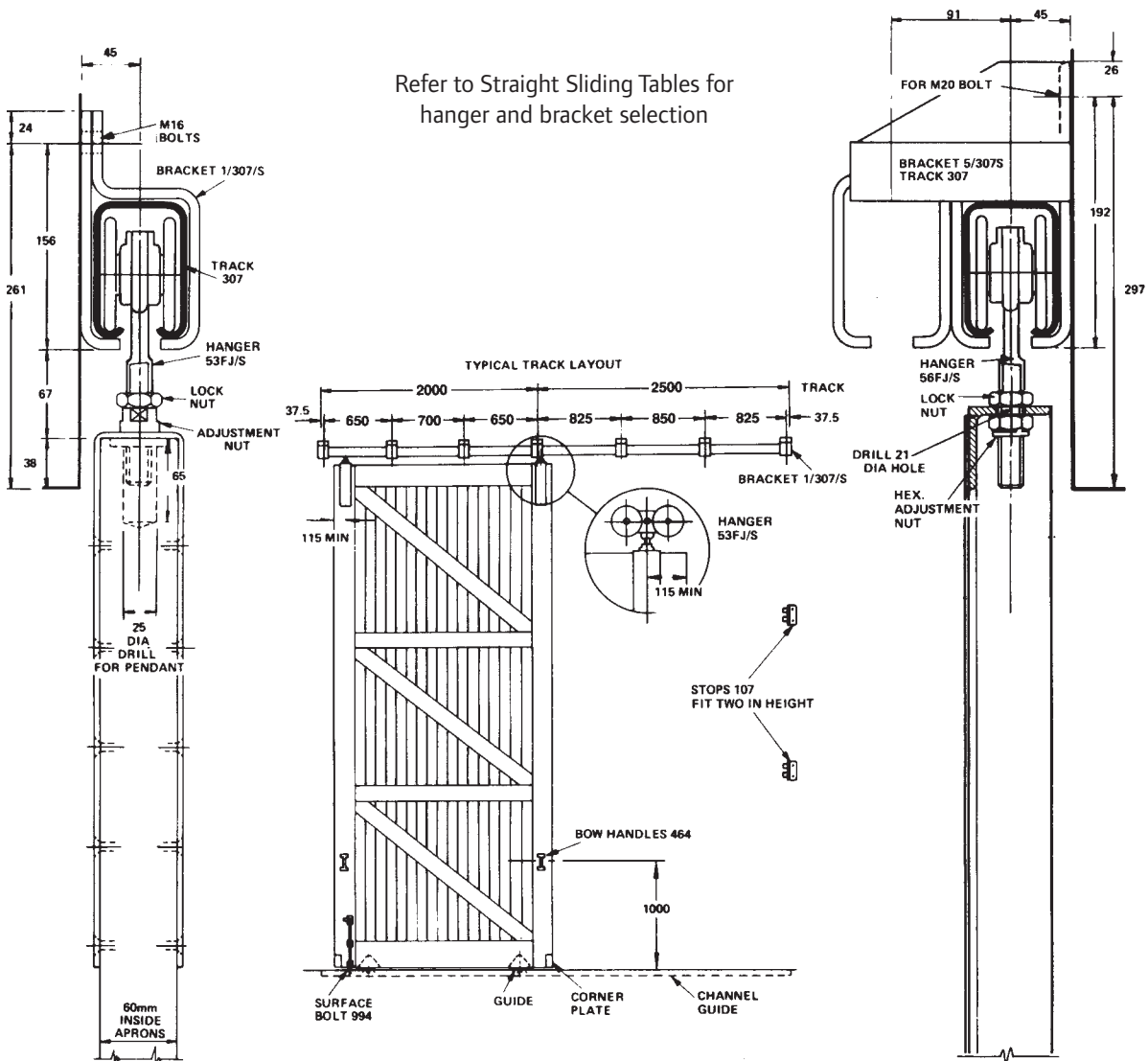
Optional Extras: Bow Handles, Flush Pulls, Flush Bolts and locks.



Straight Sliding 307

Doors up to
2000kg per leaf

Fitting Instructions:



STANDARD TRACK LENGTH	2000	2500	3000
NORMAL BRACKET SPACING	700	800	750
FOR HEAVY DOORS, OR THOSE SUBJECTED TO ABNORMAL USE, BRACKET CENTRES SHOULD BE REDUCED BY USING ONE EXTRA BRACKET PER TRACK LENGTH.			

All dimensions in mm